

**MECHANICAL**

CONTACT : BREAK BEFORE MAKE  
 ACTUATOR : FAILSAFE  
 SWITCHING SPEED : 20 mSEC MAX

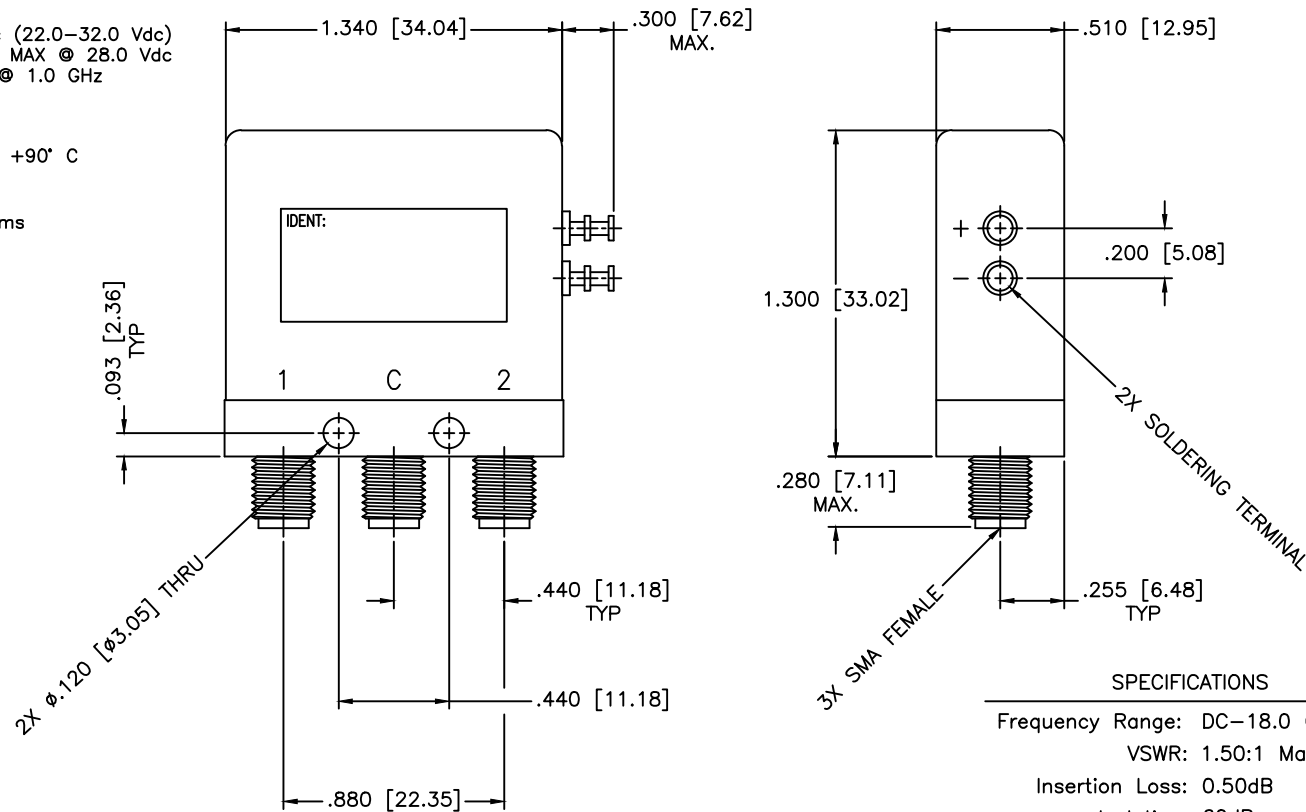
**ELECTRICAL**

ACTUATOR VOLTAGE : 28.0 Vdc (22.0-32.0 Vdc)  
 ACTUATOR CURRENT : 0.100 A MAX @ 28.0 Vdc  
 POWER HANDLING : 200 WCW @ 1.0 GHz

**ENVIRONMENTAL**

OPERATING TEMP : -54° C TO +90° C  
 SINE VIBRATION : 30 G'S rms  
 LIFE : 1,000,000 CYCLES  
 RANDOM VIBRATION : 20 G'S rms

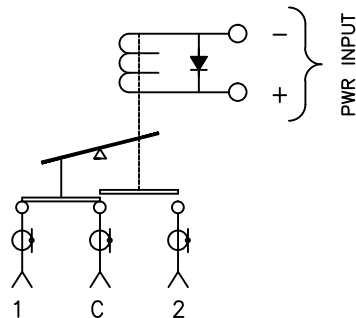
REVISIONS				
ZONE	REV	DESCRIPTION	Date	APPROVED



**SPECIFICATIONS**

Frequency Range: DC-18.0 GHz  
 VSWR: 1.50:1 Max.  
 Insertion Loss: 0.50dB  
 Isolation: 60dB  
 Impedance: 50 Ohms

**SCHEMATIC**  
 FAILSAFE, SUPPRESSION DIODE



MATERIAL:	
DRAWN: Paiboon Luekhamhan	DATE: 04-02-2001
APPROVED: T. Nguyen	DATE: 04-02-2001

MICROWAVE COMMUNICATIONS LABORATORIES INC. 7255 30TH AVE. N. SAINT PETERSBURG, FL 33710 TEL: (727) 344-6254 FAX: (727) 381-6116 http://WWW.MCLI.COM	SCALE: N/A
	SHEET: N/A
UNLESS OTHERWISE SPECIFIED: TOLERANCES IN (INCHES) OR [mm] (MILLIMETERS) FRACTIONS: ± 1/64 DECIMALS: ±.01 ±.005 ANGLE: ±1/2°	
DRAWING TITLE: ELECTROMECHANICAL SWITCHES	
PART NO. K1-7-FS	
CAGE CODE: OD2L5	SIZE: N/A
REV: N/A	DWG. NO. 82173
DO NOT SCALE THE DRAWING	

THIRD ANGLE PROJECTION