

MECHANICAL

CONTACT : BREAK BEFORE MAKE
 ACTUATOR : FAILSAFE (TTL)
 SWITCHING SPEED : 20 mSEC MAX

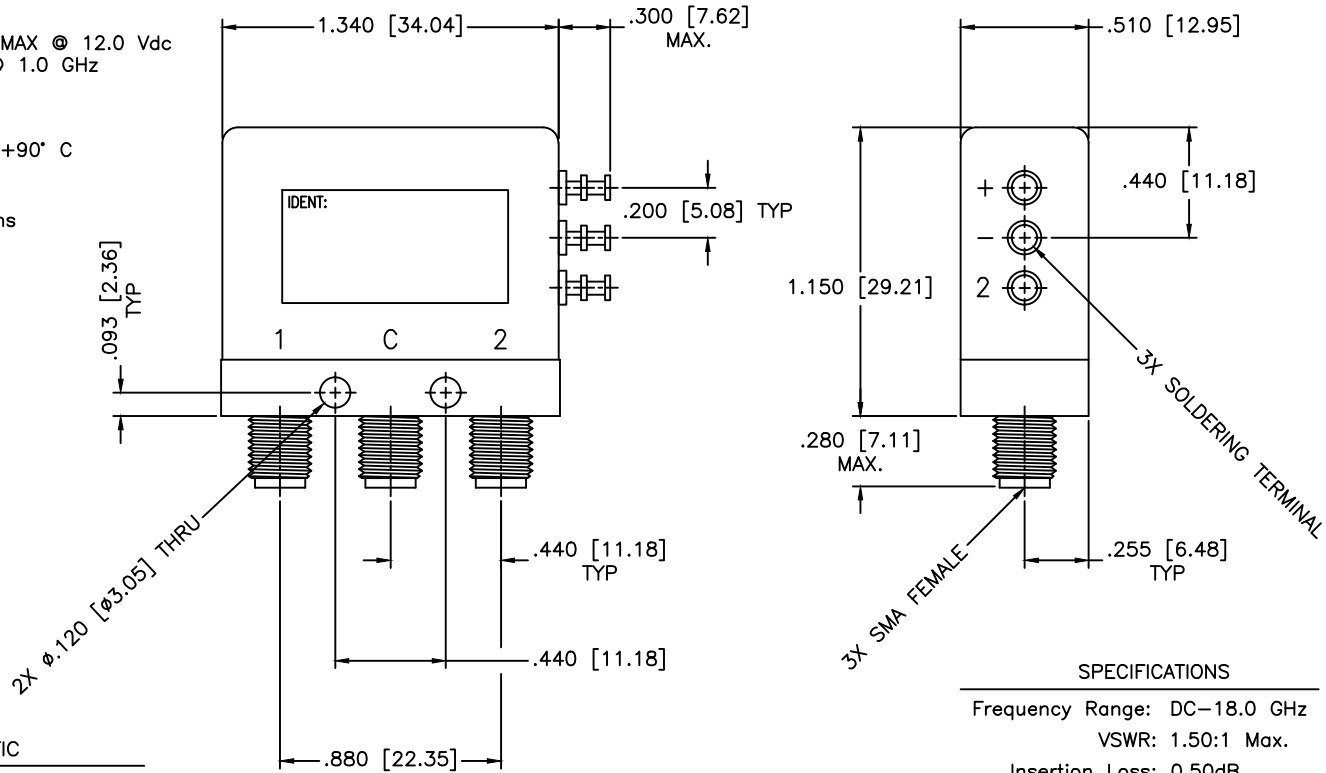
ELECTRICAL

ACTUATOR VOLTAGE : 12.0 Vdc
 ACTUATOR CURRENT : 0.100 A MAX @ 12.0 Vdc
 POWER HANDLING : 200 WCW @ 1.0 GHz

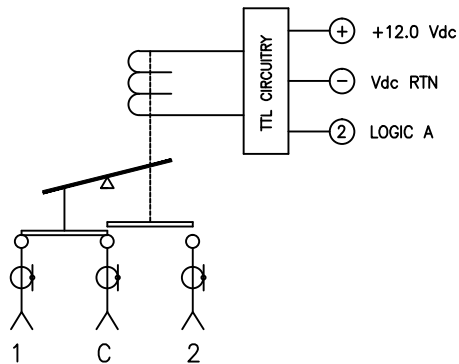
ENVIRONMENTAL

OPERATING TEMP : -54° C TO +90° C
 SINE VIBRATION : 30 G'S rms
 LIFE : 1,000,000 CYCLES
 RANDOM VIBRATION : 20 G'S rms

REVISIONS				
ZONE	REV	DESCRIPTION	Date	APPROVED



SCHMATIC
 SHOWN IN FAILSAFE, TTL



SPECIFICATIONS

Frequency Range: DC-18.0 GHz
 VSWR: 1.50:1 Max.
 Insertion Loss: 0.50dB
 Isolation: 60dB
 Impedance: 50 Ohms

MATERIAL:	
DRAWN: Paiboon Luekhamhan	DATE: 06-04-2008
APPROVED: T. Nguyen	DATE: 06-04-2008

MCLI MICROWAVE COMMUNICATIONS LABORATORIES INC. 7255 30TH AVE. N. SAINT PETERSBURG, FL 33710 TEL: (727) 344-6254 FAX: (727) 381-6116 http://WWW.MCLI.COM	SCALE: N/A
	SHEET: N/A
UNLESS OTHERWISE SPECIFIED: TOLERANCES IN (INCHES) OR [mm] (MILLIMETERS) FRACTIONS: ± 1/64 DECIMALS: ±.01 ±.005 ANGLE: ±1/2°	
DRAWING TITLE: ELECTROMECHANICAL SWITCHES	
PART NO. K1-7-FL/12	
CAGE CODE: OD2L5	SIZE: N/A
REV: N/A	DWG. NO. 83578
DO NOT SCALE THE DRAWING	

PROSECUTION NOTICE:
 THE INFORMATION IN THIS DRAWING IS PROPRIETARY
 AND SHALL NOT BE USED OR DISCLOSED WITHOUT WRITTEN
 PERMISSION FROM MICROWAVE COMMUNICATIONS
 LABORATORIES INC. (MCLI)
 THIRD ANGLE PROJECTION