

MECHANICAL

CONTACT : BREAK BEFORE MAKE
 ACTUATOR : FAILSAFE
 SWITCHING SPEED : 20 mSEC MAX

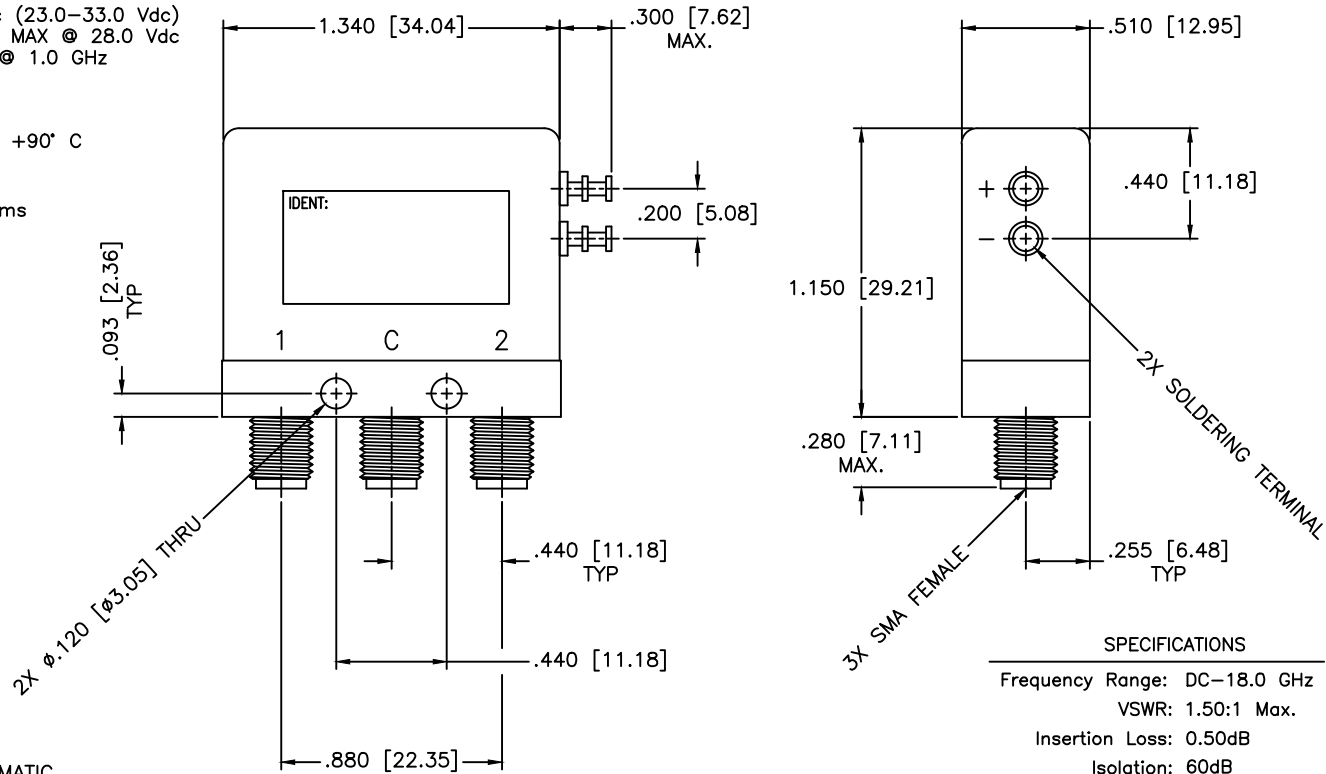
ELECTRICAL

ACTUATOR VOLTAGE : 28.0 Vdc (23.0-33.0 Vdc)
 ACTUATOR CURRENT : 0.100 A MAX @ 28.0 Vdc
 POWER HANDLING : 200 WCW @ 1.0 GHz

ENVIRONMENTAL

OPERATING TEMP : -54° C TO +90° C
 SINE VIBRATION : 30 G'S rms
 LIFE : 1,000,000 CYCLES
 RANDOM VIBRATION : 20 G'S rms

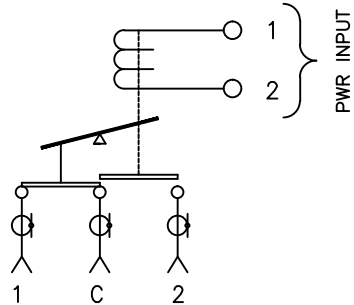
REVISIONS				
ZONE	REV	DESCRIPTION	Date	APPROVED



SPECIFICATIONS
 Frequency Range: DC-18.0 GHz
 VSWR: 1.50:1 Max.
 Insertion Loss: 0.50dB
 Isolation: 60dB
 Impedance: 50 Ohms

SCHMATIC

SHOWN IN FAILSAFE POSITION



MATERIAL:		
DRAWN: Paiboon Luekhamhan	DATE: 04-02-2005	
APPROVED: T. Nguyen	DATE: 04-02-2005	FREQUENCY NOTES: THE INFORMATION IN THIS DRAWING IS PROPRIETARY AND SHALL NOT BE USED OR DISCLOSED WITHOUT WRITTEN PERMISSION FROM MICROWAVE COMMUNICATIONS LABORATORIES INC. (MCLI)

MICROWAVE COMMUNICATIONS LABORATORIES INC. 7255 30TH AVE. N. SAINT PETERSBURG, FL 33710 TEL: (727) 344-6254 FAX: (727) 381-6116 http://WWW.MCLI.COM	SCALE:	N/A
	SHEET:	N/A
UNLESS OTHERWISE SPECIFIED: TOLERANCES IN (INCHES) OR [mm] (MILLIMETERS) FRACTIONS: ± 1/64 DECIMALS: ±.01 ±.005 ANGLE: ±1/2°		
DRAWING TITLE: ELECTROMECHANICAL SWITCHES		
PART NO. K1-7-F/28		
CAGE CODE:	SIZE:	REV:
OD2L5	N/A	N/A
DO NOT SCALE THE DRAWING		DWG NO. 82443