

MECHANICAL

CONTACT: BREAK BEFORE MAKE
 ACTUATOR: FAILSAFE
 SWITCHING SPEED: 20 mSEC MAX

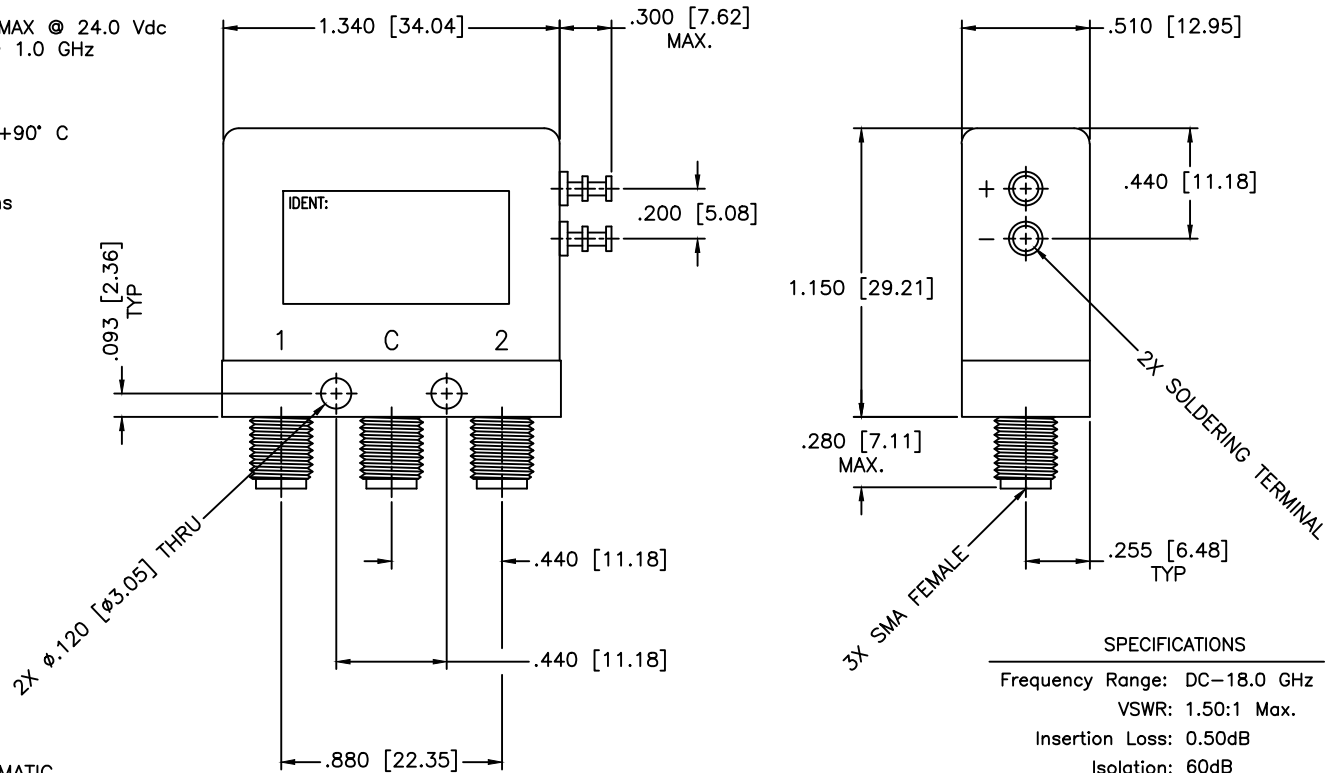
ELECTRICAL

ACTUATOR VOLTAGE: 24.0 Vdc
 ACTUATOR CURRENT: 0.100 A MAX @ 24.0 Vdc
 POWER HANDLING: 200W CW @ 1.0 GHz

ENVIRONMENTAL

OPERATING TEMP: -54° C TO +90° C
 SINE VIBRATION: 30 G'S rms
 LIFE: 1,000,000 CYCLES
 RANDOM VIBRATION: 20 G'S rms

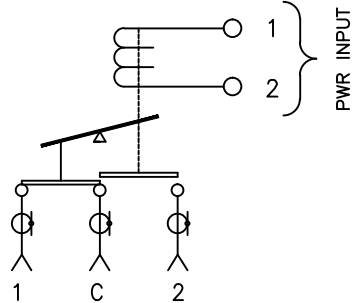
REVISIONS				
ZONE	REV	DESCRIPTION	Date	APPROVED



SPECIFICATIONS
 Frequency Range: DC-18.0 GHz
 VSWR: 1.50:1 Max.
 Insertion Loss: 0.50dB
 Isolation: 60dB
 Impedance: 50 Ohms

SCHEMATIC

SHOWN IN FAILSAFE POSITION



MATERIAL:	
DRAWN: Paiboon Luekhamhan	DATE: 08-05-2010
APPROVED: T. Nguyen	DATE: 08-05-2010

MCLI MICROWAVE COMMUNICATIONS LABORATORIES INC. 7255 30TH AVE. N. SAINT PETERSBURG, FL 33710 TEL: (727) 544-6254 FAX: (727) 381-6116 http://WWW.MCLI.COM	SCALE:	N/A
	SHEET:	N/A
UNLESS OTHERWISE SPECIFIED: TOLERANCES IN (INCHES) OR [mm] (MILLIMETERS) FRACTIONS: ± 1/64 DECIMALS: ±.01 ±.005 ANGLE: ±1/2°	DRAWING TITLE: ELECTROMECHANICAL SWITCHES	
PROSECUTORY NOTICE: THE INFORMATION IN THIS DRAWING IS PROPRIETARY AND SHALL NOT BE USED OR DISCLOSED WITHOUT WRITTEN PERMISSION FROM MICROWAVE COMMUNICATIONS LABORATORIES INC. (MCLI)	PART NO. K1-7-F/24	
THIRD ANGLE PROJECTION	CAGE CODE:	OD2L5
	SIZE:	N/A
	REV:	N/A
	DWG. NO.	85032
DO NOT SCALE THE DRAWING		