

MECHANICAL

CONTACT: BREAK BEFORE MAKE
 ACTUATOR: FAILSAFE
 SWITCHING SPEED: 20 mSEC MAX

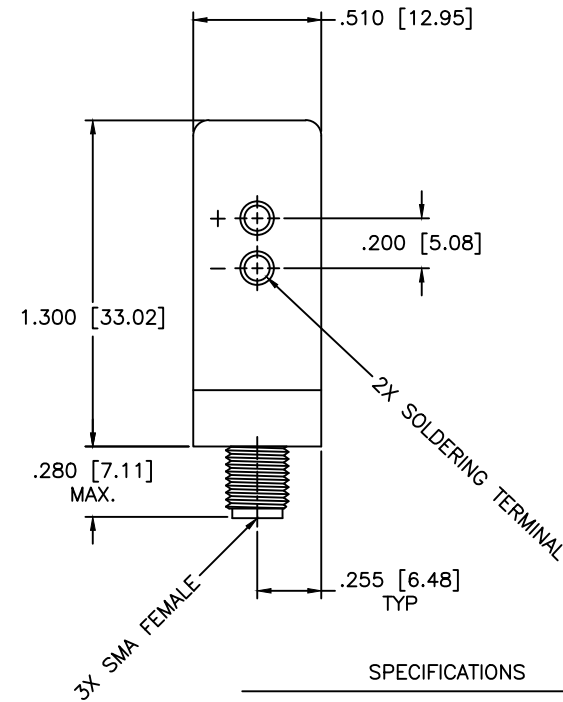
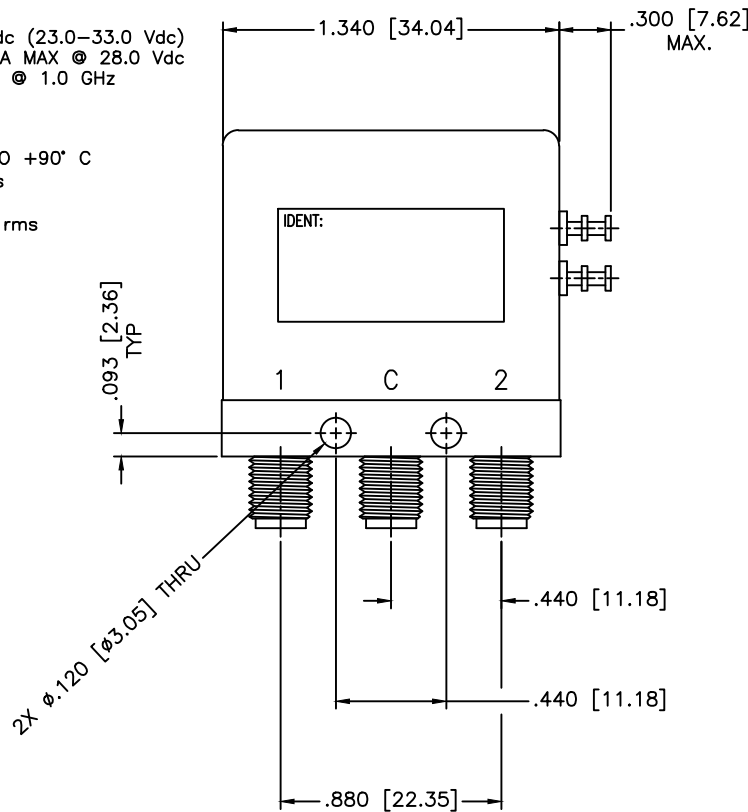
ELECTRICAL

ACTUATOR VOLTAGE: 28.0 Vdc (23.0–33.0 Vdc)
 ACTUATOR CURRENT: 0.100 A MAX @ 28.0 Vdc
 POWER HANDLING: 200W CW @ 1.0 GHz

ENVIRONMENTAL

OPERATING TEMP: -54° C TO +90° C
 SINE VIBRATION: 30 G'S rms
 LIFE: 1,000,000 CYCLES
 RANDOM VIBRATION: 20 G'S rms

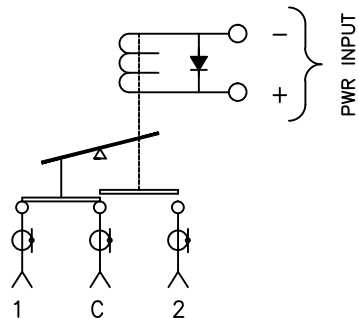
REVISIONS				
ZONE	REV	DESCRIPTION	Date	APPROVED



SPECIFICATIONS

Frequency Range: DC–2.0 GHz
 VSWR: 1.20:1 Max.
 Insertion Loss: 0.20dB
 Isolation: 90dB
 Impedance: 50 Ohms

SCHEMATIC
 FAILSAFE, SUPPRESSION DIODE



MATERIAL:	
DRAWN: Paiboon Luekhamhan	DATE: 04-02-2001
APPROVED: T. Nguyen	DATE: 04-02-2001

<p>MICROWAVE COMMUNICATIONS LABORATORIES INC. 7255 30TH AVE. N. SAINT PETERSBURG, FL 33710 TEL: (727) 344-6254 FAX: (727) 381-6116 http://WWW.MCLI.COM</p>	SCALE: N/A
	SHEET: N/A
UNLESS OTHERWISE SPECIFIED: TOLERANCES IN (INCHES) OR [mm] (MILLIMETERS) FRACTIONS: ± 1/64 DECIMALS: ± .01 ± .005 ANGLE: ± 1/2°	
DRAWING TITLE: ELECTROMECHANICAL SWITCHES	
PART NO. K1-2-FS	
CAGE CODE: OD2L5	SIZE: N/A
REV: N/A	DWG. NO. 82175
DO NOT SCALE THE DRAWING	

THIRD ANGLE PROJECTION