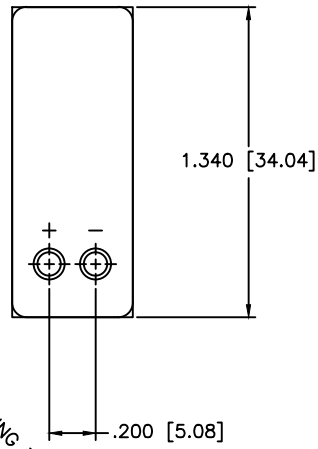
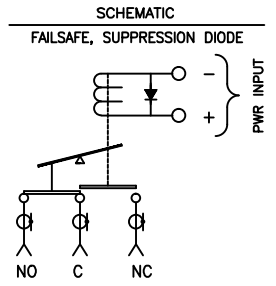
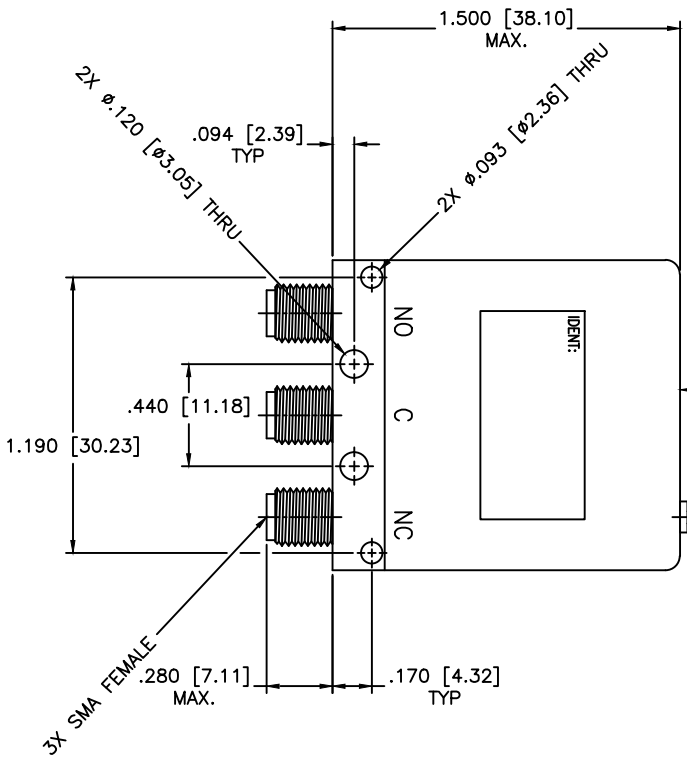
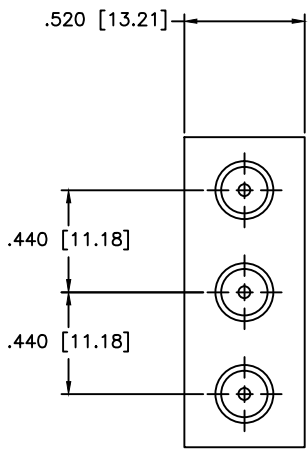


REVISIONS			
ZONE	REV	DESCRIPTION	APPROVED



2X SOLDERING TERMINALS
 SOLDER WIRE USING SN96
 MAX. TEMP: 250°C FOR
 NO MORE THAN 5 SEC.

SPECIFICATIONS

Frequency Range: DC–1.0 GHz
 VSWR: 1.20:1 Max.
 Insertion Loss: 0.20dB
 Isolation: 90dB
 Actuator Operating Voltage: 28 VDC
 Actuator Operating Current: 90mA Max. @ 28Vdc And 20°C
 Switching Time: 20 Millisecond
 Action: Failsafe
 Operating Temperature Range: –25°C to +65°C

MATERIAL:	
DRAWN: Paiboon Luekhamhan	DATE: 07/04/2023
APPROVED: T. Nguyen	DATE: 07/04/2023



MICROWAVE COMMUNICATIONS LABORATORIES INC.
 7255 30TH AVE. N. SAINT PETERSBURG, FL 33710
 TEL: (727) 344-6254 FAX: (727) 381-6116
 http://WWW.MCLI.COM

SCALE:	N/A
SHEET:	N/A

UNLESS OTHERWISE SPECIFIED:
 TOLERANCES
 IN (INCHES) OR [mm] (MILLIMETERS)
 FRACTIONS: ± 1/64
 DECIMALS: ±.01 ±.006
 ANGLE: ±1/2°

DRAWING TITLE:
ELECTROMECHANICAL SWITCHES

PART NO.
K1-1-FS

PROCEDURE NOTES:
 THE INFORMATION IN THIS DRAWING IS PROPRIETARY
 AND SHALL NOT BE USED OR DISCLOSED WITHOUT WRITTEN
 PERMISSION FROM MICROWAVE COMMUNICATIONS
 LABORATORIES INC. (MCLI)
 THIRD ANGLE PROJECTION

CAGE CODE:
OD2L5

SIZE: N/A
 REV: A
 DO NOT SCALE THE DRAWING

DWG NO.
86997