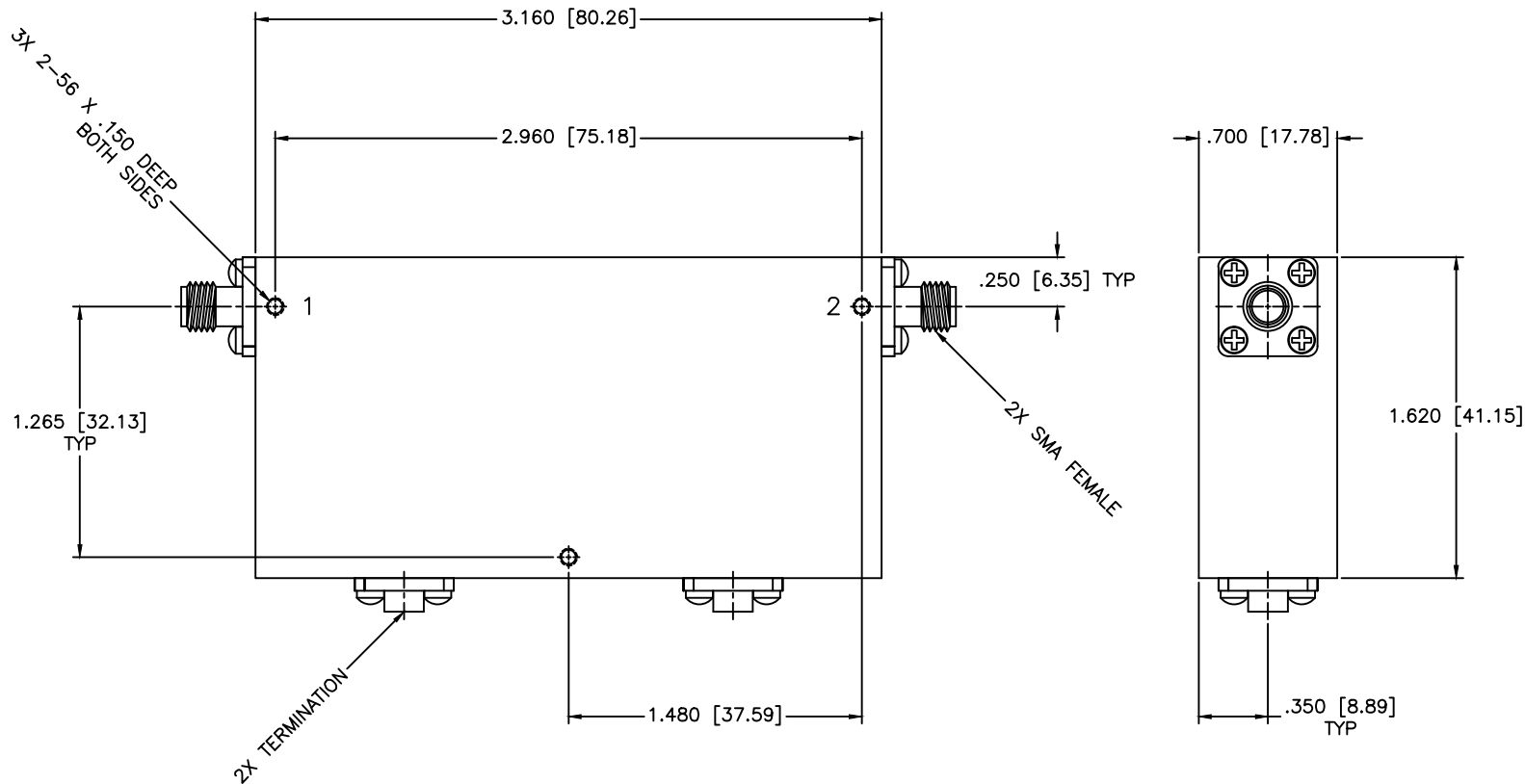


SPECIFICATIONS						
MODEL NUMBER	FREQUENCY RANGE (GHz)	ISOLATION (dB) MIN.	INSERTION LOSS (dB) MAX.	VSWR (dB) MAX.	POWER (WATT) AVG	OPERATING TEMPERATURE RANGE (C°)
ISDJ-3	0.7-0.8	40	0.8	1.25	200	-20 to +65
ISDJ-4	0.8-0.9	40	0.8	1.25	150	-20 to +65
ISDJ-5	2.0-4.0	36	1.0	1.30	20	0 to +50

REVISIONS				
ZONE	REV	DESCRIPTION	Date	APPROVED



MATERIAL:		MCLI MICROWAVE COMMUNICATIONS LABORATORIES INC. 7255 30TH AVE. N. SAINT PETERSBURG, FL 33710 TEL: (727) 344-6254 FAX: (727) 381-6116 http://WWW.MCLI.COM	SCALE: N/A
			SHEET: N/A
UNLESS OTHERWISE SPECIFIED: TOLERANCES IN (INCHES) OR [mm] (MILLIMETERS) FRACTIONS: ± 1/64 DECIMALS: ±.01 ±.005 ANGLE: ±1/2°		DRAWING TITLE: DUAL JUNCTION ISOLATOR	
PROPRIETARY NOTICE: THE INFORMATION IN THIS DRAWING IS PROPRIETARY AND SHALL NOT BE USED OR DISCLOSED WITHOUT WRITTEN PERMISSION FROM MICROWAVE COMMUNICATIONS LABORATORIES INC. (MCLI)		PART NO. ISDJ-3, -4 & -5	
DRAWN: Paiboon Luekhamhan	DATE: 04-07-2009	CAGE CODE: OD2L5	SIZE: N/A REV: N/A DWG. NO. 84359
APPROVED: T. Nguyen	DATE: 04-07-2009	DO NOT SCALE THE DRAWING	