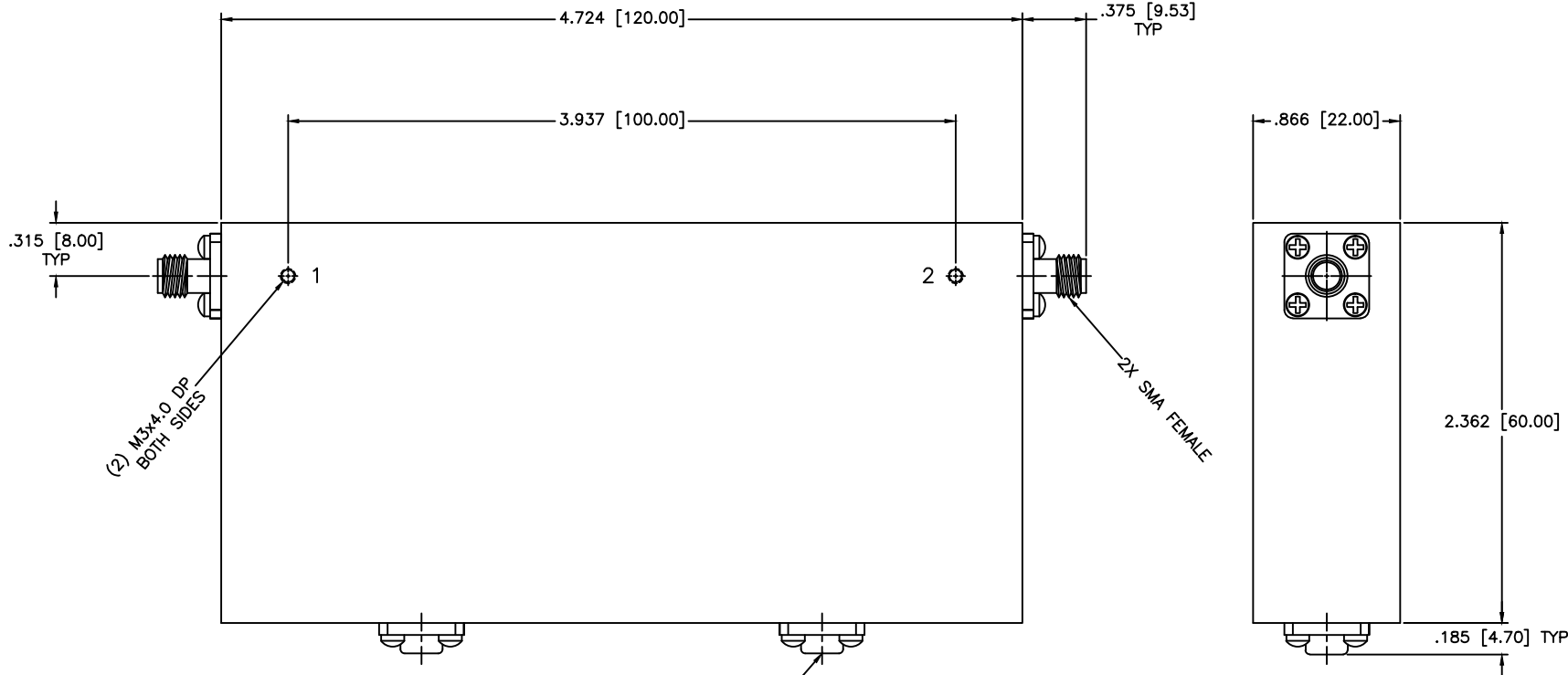


REVISIONS				
ZONE	REV	DESCRIPTION	Date	APPROVED



SPECIFICATIONS AT 25±5°C

- FREQUENCY RANGE: 1.3–2.8 GHz
- ISOALTION: 34dB MIN.
- VSWR: 1.35:1 Max.
- POWER: 10W REV, 50W FWD.
- INSERTION LOSS: 1.2dB MAX.

MATERIAL:		<b>MCLI</b> MICROWAVE COMMUNICATIONS LABORATORIES INC. 7255 30TH AVE. N. SAINT PETERSBURG, FL 33710 TEL: (727) 344-6254 FAX: (727) 381-6116 <a href="http://WWW.MCLI.COM">http://WWW.MCLI.COM</a>	SCALE:	N/A
			SHEET:	N/A
UNLESS OTHERWISE SPECIFIED: TOLERANCES IN (INCHES) OR (mm) (MILLIMETERS) FRACTIONS: ± 1/64 DECIMALS: ±.02 ±.009 ANGLE: ±1/2°		DRAWING TITLE: <b>DUAL JUNCTION ISOLATOR</b>		
DRAWN: Paiboon Luekhamhan		PART NO.: <b>ISDJ-12</b>		
DATE: 11-09-2017		CAGE CODE: OD2L5		
APPROVED: T. Nguyen		DATE: 11-09-2017		
THIRD ANGLE PROJECTION		SIZE: N/A	REV: N/A	DWG NO. 86695
		DO NOT SCALE THE DRAWING		