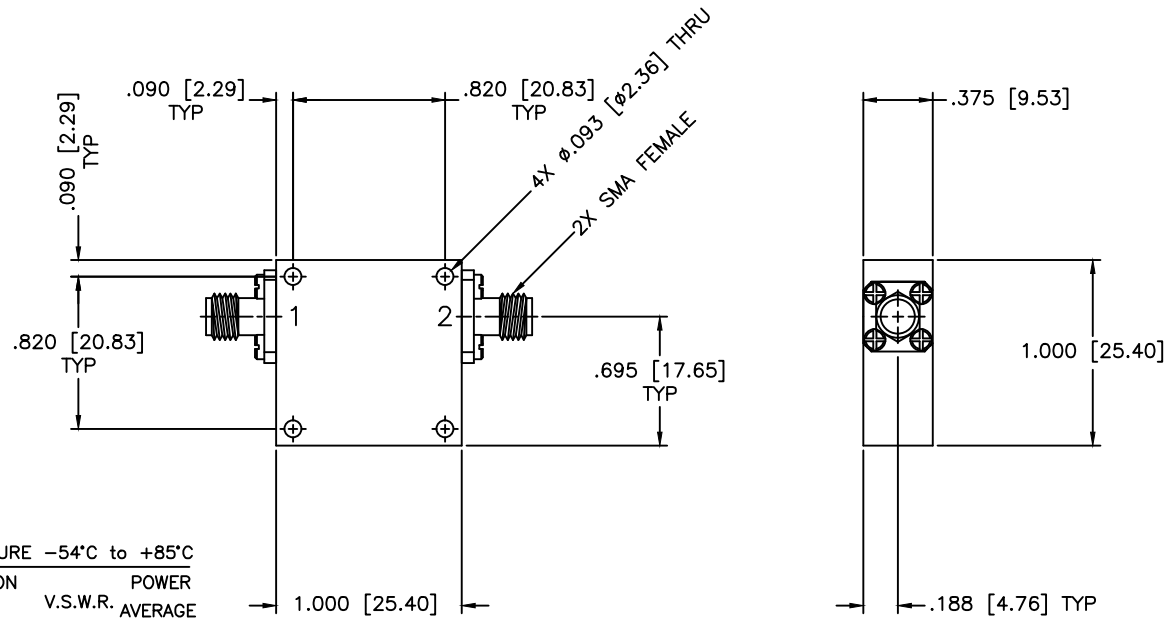


REVISIONS				
ZONE	REV	DESCRIPTION	Date	APPROVED



SPECIFICATIONS		OPERATING TEMPERATURE -54°C to +85°C			
MODEL NUMBERS	FREQUENCY RANGE (GHz)	ISOLATION (dB Min.)	INSERTION LOSS (dB Max.)	V.S.W.R. (Max.)	POWER AVERAGE (Watts)
IS-301	0.80-0.85	20	0.5	1.25:1	5
IS-304	1.435-1.535	20	0.5	1.25:1	5
IS-307	2.2-2.4	20	0.5	1.25:1	5
IS-309	2.7-3.1	20	0.5	1.25:1	5
IS-310	3.0-3.5	20	0.5	1.25:1	5
IS-311	3.7-4.2	20	0.5	1.25:1	5
IS-312	4.2-4.4	20	0.5	1.25:1	5
IS-317	10-12	20	0.5	1.25:1	5
IS-318	12-15	20	0.5	1.25:1	5

MATERIAL:			MICROWAVE COMMUNICATIONS LABORATORIES INC. 7255 30TH AVE. N. SAINT PETERSBURG, FL 33710 TEL: (727) 344-6254 FAX: (727) 381-6116 http://WWW.MCLI.COM		SCALE: N/A
UNLESS OTHERWISE SPECIFIED: TOLERANCES IN (INCHES) OR (mm) (MILLIMETERS) FRACTIONS: ± 1/64 DECIMALS: ± .01 ± .005 ANGLE: ± 1/2°			DRAWING TITLE: COAXIAL ISOLATOR		
DRAWN: Paiboon		DATE: 08-25-2000		PART NO. IS-X	
APPROVED: Peter Nguyen		DATE: 10-27-2023		CAGE CODE: OD2L5	SIZE: N/A REV: N/A DWG NO. 84044 DO NOT SCALE THE DRAWING
PROPRIETARY NOTICE: THE INFORMATION IN THIS DRAWING IS PROPRIETARY AND SHALL NOT BE USED OR DISCLOSED WITHOUT WRITTEN PERMISSION FROM MICROWAVE COMMUNICATIONS LABORATORIES INC. (MCLI)		THIRD ANGLE PROJECTION			