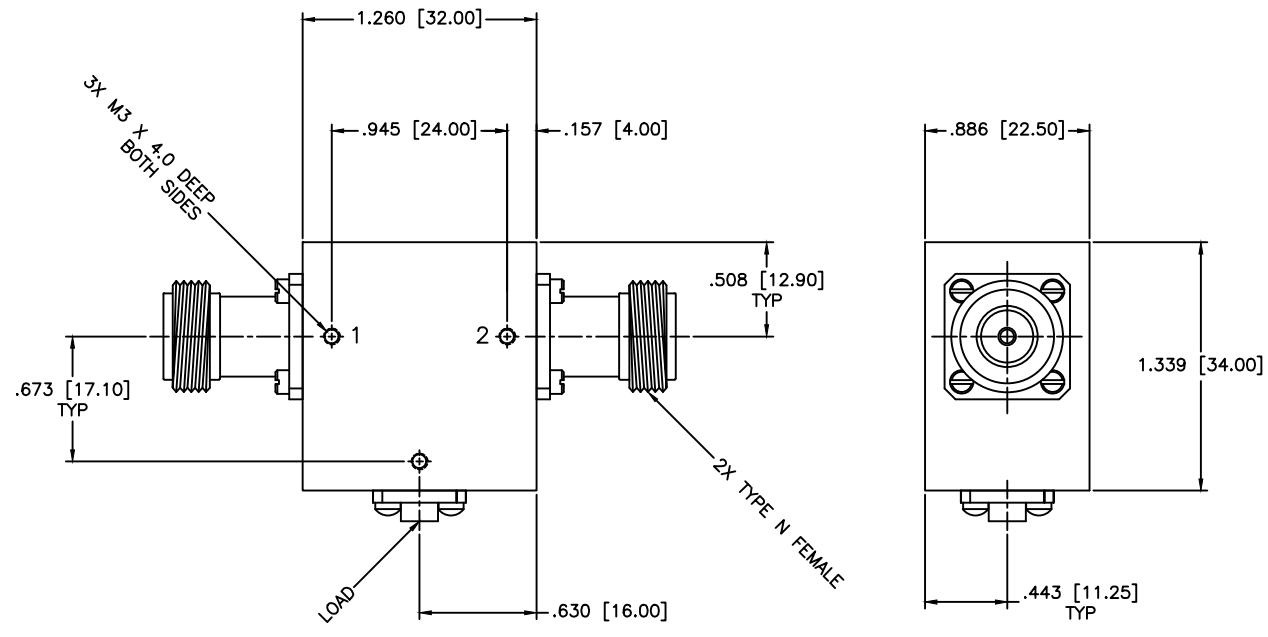




REVISIONS				
ZONE	REV	DESCRIPTION	Date	APPROVED



**SPECIFICATIONS**

Frequency Range: 4.8–5.4 GHz  
 Isolation: 20dB Min.  
 Insertion loss: 0.25dB Max.  
 VSWR: 1.20:1 Max.  
 Operating Temperature: -54°C to +85°C

MATERIAL:			MICROWAVE COMMUNICATIONS LABORATORIES INC. 7255 30TH AVE. N. SAINT PETERSBURG, FL 33710 TEL: (727) 344-6254 FAX: (727) 381-6116 http://www.MCLI.COM		SCALE: N/A
			UNLESS OTHERWISE SPECIFIED: TOLERANCES IN (INCHES) OR [mm] (MILLIMETERS) FRACTIONS: ± 1/64 DECIMALS: ±.01 ±.005 ANGLE: ±1/2°		SHEET: N/A
DRAWN: Paiboon Luexhamhan		DATE: 06-01-2009		DRAWING TITLE: COAXIAL ISOLATOR	
APPROVED: T. Nguyen		DATE: 06-01-2009		PART NO. IS-99/NF	
		CAGE CODE: 0D2L5		SIZE: A	REV: N/A
				DWG NO. 86431	
				DO NOT SCALE THE DRAWING	

