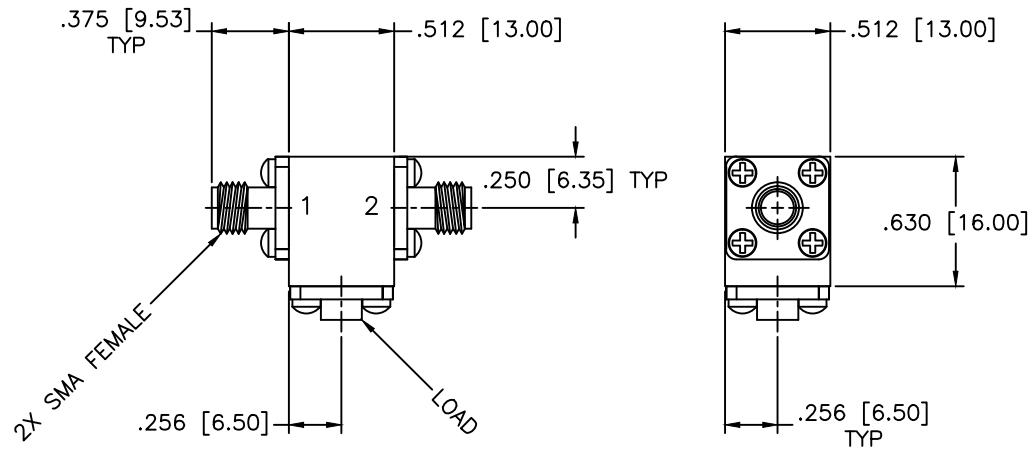


| REVISIONS |     |             |      |          |
|-----------|-----|-------------|------|----------|
| ZONE      | REV | DESCRIPTION | Date | APPROVED |



**SPECIFICATIONS**

Frequency Range: 20–24 GHz  
 Isolation: 17dB Min.  
 Insertion loss: 0.80dB Max.  
 VSWR: 1.35:1 Max.  
 Operating Temperature: –54°C to +85°C  
 Circulator Power: 25W Avg, 250W Peak

|                              |  |  |   |   |
|------------------------------|--|--|---|---|
| MATERIAL:                    |  | <b>MCLI</b> MICROWAVE COMMUNICATIONS LABORATORIES INC.<br>7255 30TH AVE. N. SAINT PETERSBURG, FL 33710<br>TEL: (727) 344-6254 FAX: (727) 381-6116<br><a href="http://WWW.MCLI.COM">http://WWW.MCLI.COM</a> | SCALE:                                    | N/A                                       |
|                              |  |  | SHEET:                                    | N/A                                       |
|                              |  | UNLESS OTHERWISE SPECIFIED:<br>TOLERANCES<br>IN (INCHES) OR [mm] (MILLIMETERS)<br>FRACTIONS: ± 1/64<br>DECIMALS: ±.01 ±.005<br>ANGLE: ±1/2°  | DRAWING TITLE:<br><b>COAXIAL ISOLATOR</b> |   |
| DRAWN:<br>Paiboon Luekhamhan |  | DATE:<br>03-17-2009  | PART NO.<br><b>IS-95</b>                  |   |
| APPROVED:<br>T. Nguyen       |  | DATE:<br>03-17-2009  | CAGE CODE:<br>OD2L5                       | SIZE: N/A<br>REV: N/A<br>DWG NO.<br>84316 |
|                              |  | THIRD ANGLE PROJECTION   | DO NOT SCALE THE DRAWING                  |   |