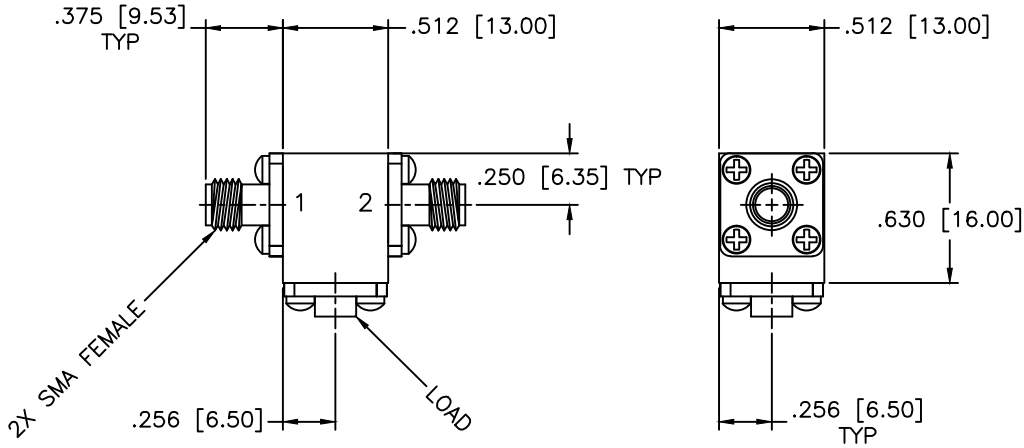


REVISIONS				
ZONE	REV	DESCRIPTION	Date	APPROVED



**SPECIFICATIONS**

Frequency Range: 20–21.5 GHz  
 Isolation: 25dB Min.  
 Insertion loss: 0.50dB Max.  
 VSWR: 1.15:1 Max.  
 Operating Temperature: –54°C to +85°C  
 Circulator Power: 25W Avg, 250W Peak

MATERIAL:		<b>MCLI</b> MICROWAVE COMMUNICATIONS LABORATORIES INC. 7255 30TH AVE. N. SAINT PETERSBURG, FL 33710 TEL: (727) 344-6254 FAX: (727) 381-6116 <a href="http://www.mcli.com">http://www.mcli.com</a>	SCALE:	N/A
			SHEET:	N/A
UNLESS OTHERWISE SPECIFIED: TOLERANCES IN (INCHES) OR (mm) (MILLIMETERS) FRACTIONS: ± 1/64 DECIMALS: ± .01 ± .005 ANGLE: ± 1/2°		DRAWING TITLE: <b>COAXIAL ISOLATOR</b>		
DRAWN: Paiboon Luekhamhan		PART NO.: IS-92		
DATE: 03-17-2009		CAGE CODE: OD2L5		
APPROVED: T. Nguyen		DATE: 03-17-2009		
PROPRIETARY NOTICE: THE INFORMATION IN THIS DRAWING IS PROPRIETARY AND SHALL NOT BE USED OR DISCLOSED WITHOUT WRITTEN PERMISSION FROM MICROWAVE COMMUNICATIONS LABORATORIES INC. (MCLI)		SIZE: N/A	REV: N/A	DWG. NO.: 84313
THIRD ANGLE PROJECTION		DO NOT SCALE THE DRAWING		