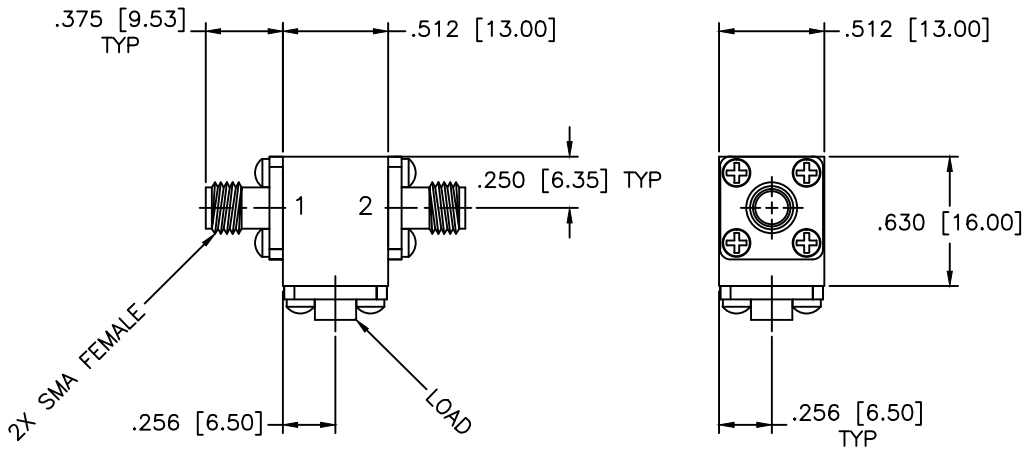


REVISIONS				
ZONE	REV	DESCRIPTION	Date	APPROVED



SPECIFICATIONS

Frequency Range: 19–22 GHz
 Isolation: 21dB Min.
 Insertion loss: 0.60dB Max.
 VSWR: 1.20:1 Max.
 Operating Temperature: –54°C to +85°C
 Circulator Power: 25W Avg, 250W Peak

MATERIAL:		MCLI MICROWAVE COMMUNICATIONS LABORATORIES INC. 7255 30TH AVE. N. SAINT PETERSBURG, FL 33710 TEL: (727) 344-6254 FAX: (727) 381-6116 http://WWW.MCLI.COM	SCALE:	N/A
			SHEET:	N/A
		UNLESS OTHERWISE SPECIFIED: TOLERANCES IN (INCHES) OR (mm) (MILLIMETERS) FRACTIONS: ± 1/64 DECIMALS: ± .01 ± .005 ANGLE: ± 1/2°	DRAWING TITLE: COAXIAL ISOLATOR	
DRAWN: Paiboon Luekhamhan		DATE: 03-17-2009	PART NO. IS-90	
APPROVED: T. Nguyen		DATE: 03-17-2009	CAGE CODE: OD2L5	SIZE: N/A REV: N/A DWG NO. 84311
		THIRD ANGLE PROJECTION	DO NOT SCALE THE DRAWING	