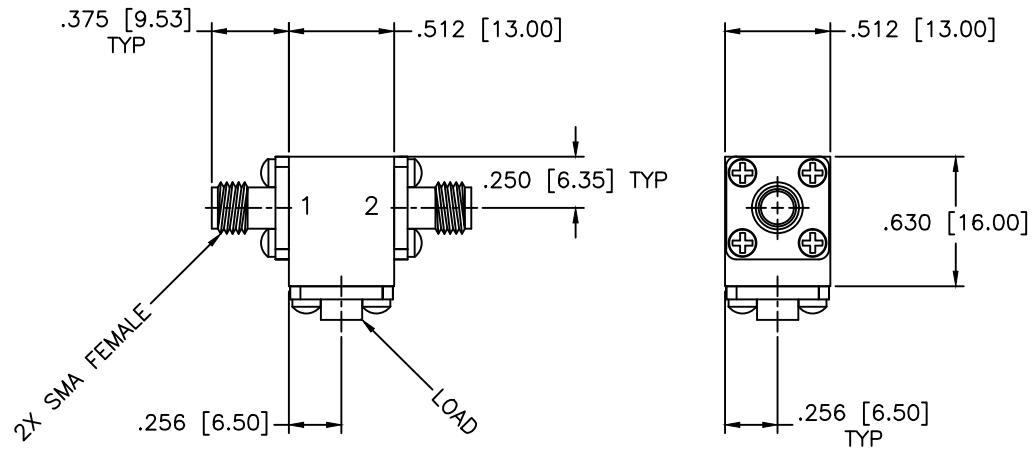


| REVISIONS | | | | |
|-----------|-----|-------------|------|----------|
| ZONE | REV | DESCRIPTION | Date | APPROVED |
| | | | | |



SPECIFICATIONS

Frequency Range: 18–26 GHz
 Isolation: 14dB Min.
 Insertion loss: 1.0dB Max.
 VSWR: 1.50:1 Max.
 Operating Temperature: -54°C to +85°C
 Circulator Power: 25W Avg, 250W Peak

| | | | | |
|---|--|--|--------|------------------|
| MATERIAL: | | MCLI MICROWAVE COMMUNICATIONS LABORATORIES INC. 7255 30TH AVE. N. SAINT PETERSBURG, FL 33710 TEL: (727) 344-6254 FAX: (727) 381-6116 http://WWW.MCLI.COM | SCALE: | N/A |
| | | | SHEET: | N/A |
| UNLESS OTHERWISE SPECIFIED: TOLERANCES IN (INCHES) OR [mm] (MILLIMETERS) FRACTIONS: ± 1/64 DECIMALS: ±.01 ±.005 ANGLE: ±1/2° | | DRAWING TITLE: COAXIAL ISOLATOR | | |
| DRAWN: Paiboon Luekhamhan | | PART NO. IS-87 | | |
| DATE: 03-16-2009 | | CAGE CODE: OD2L5 | | |
| APPROVED: T. Nguyen | | DATE: 03-16-2009 | | SIZE: N/A |
| THIRD ANGLE PROJECTION | | REV: N/A | | DWG NO. 84308 |
| | | DO NOT SCALE THE DRAWING | | |