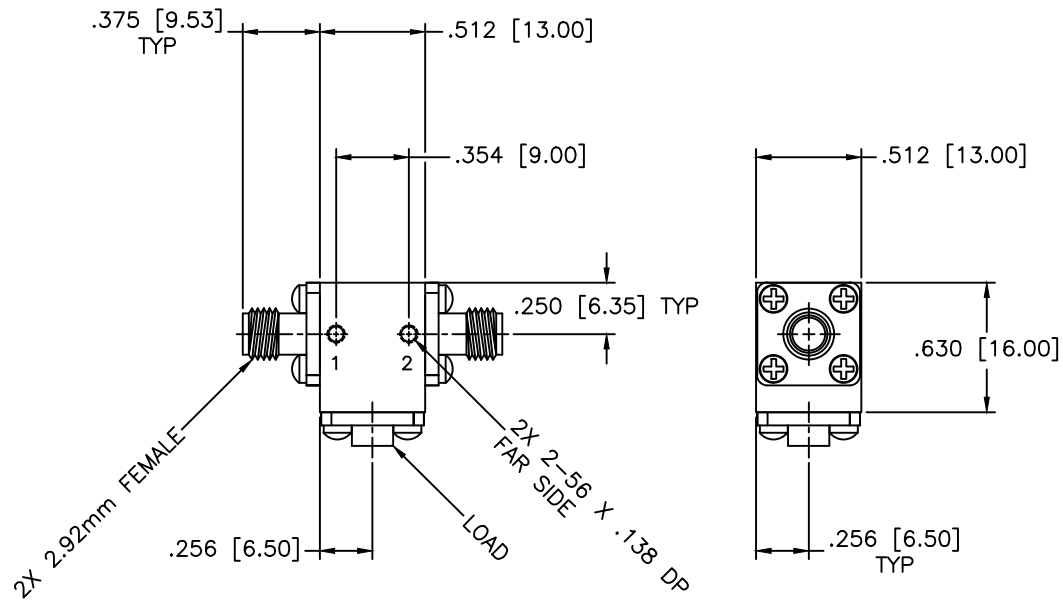


REVISIONS				
ZONE	REV	DESCRIPTION	Date	APPROVED



SPECIFICATIONS

Frequency Range: 18–22 GHz
 Isolation: 21dB Min.
 Insertion loss: 0.60dB Max.
 VSWR: 1.20:1 Max.
 Average Power: 1 Watt
 Operating Temperature: –54°C to +85°C

MATERIAL:		MCLI MICROWAVE COMMUNICATIONS LABORATORIES INC. 7255 30TH AVE. N. SAINT PETERSBURG, FL 33710 TEL: (727) 344-6254 FAX: (727) 381-6116 http://www.mcli.com	SCALE:	N/A
			SHEET:	N/A
UNLESS OTHERWISE SPECIFIED: TOLERANCES IN (INCHES) OR (mm) (MILLIMETERS) FRACTIONS: ± 1/64 DECIMALS: ±.01 ±.005 ANGLE: ±1/2°		DRAWING TITLE: COAXIAL ISOLATOR		
DRAWN: Paiboon Luekhamhan		PART NO.: IS-86		
DATE: 07-26-2013		CAGE CODE: OD2L5		
APPROVED: T. Nguyen		SIZE: N/A		
DATE: 07-26-2013		REV: A		
THIRD ANGLE PROJECTION		DWG NO.: 84307		
		DO NOT SCALE THE DRAWING		