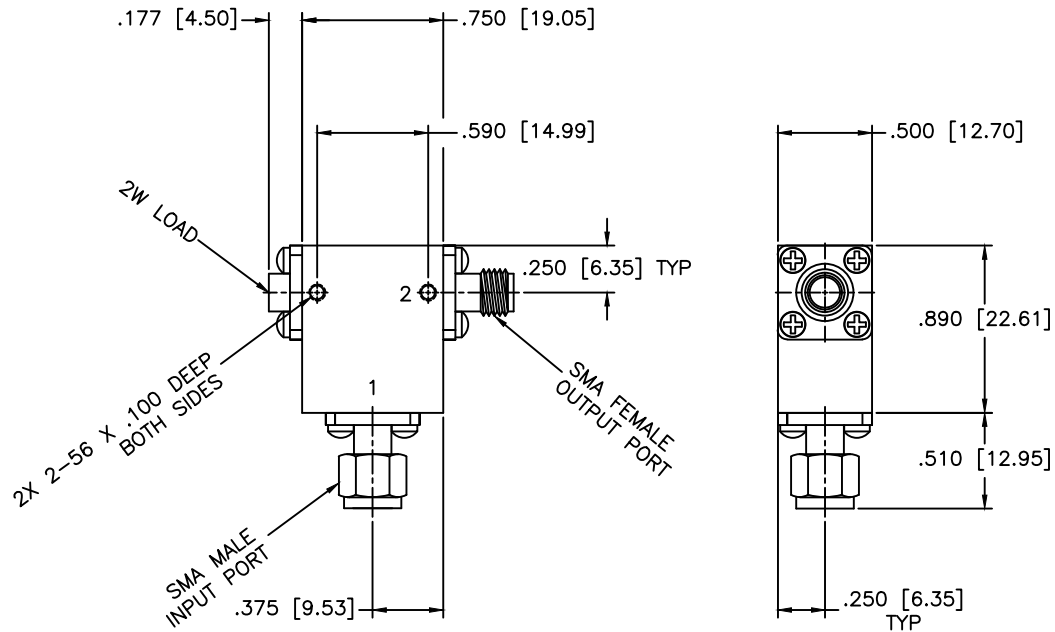


REVISIONS				
ZONE	REV	DESCRIPTION	Date	APPROVED



SPECIFICATIONS

Frequency Range: 3.9–4.6 GHz
 Isolation: 20dB Min.
 Insertion loss: 0.4dB Max.
 VSWR: 1.25:1 Max.
 Power Avg, Peak: 2W, 100W
 Operating Temperature: –54°C to +95°C

MATERIAL:			MICROWAVE COMMUNICATIONS LABORATORIES INC. 7255 30TH AVE. N. SAINT PETERSBURG, FL 33710 TEL: (727) 344-6254 FAX: (727) 381-6116 http://WWW.MCLI.COM		SCALE: N/A
UNLESS OTHERWISE SPECIFIED: TOLERANCES IN (INCHES) OR (mm) (MILLIMETERS) FRACTIONS: ± 1/64 DECIMALS: ±.01 ±.005 ANGLE: ±1/2°			DRAWING TITLE: COAXIAL ISOLATOR 2 WATTS		SHEET: N/A
DRAWN: Paiboon Luexhmahan		DATE: 04-28-2008		PART NO.: IS-76/S	
APPROVED: T. Nguyen		DATE: 04-28-2008		CAGE CODE: OD2L5	SIZE: N/A REV: N/A DWG NO.: 83838
THIRD ANGLE PROJECTION				DO NOT SCALE THE DRAWING	