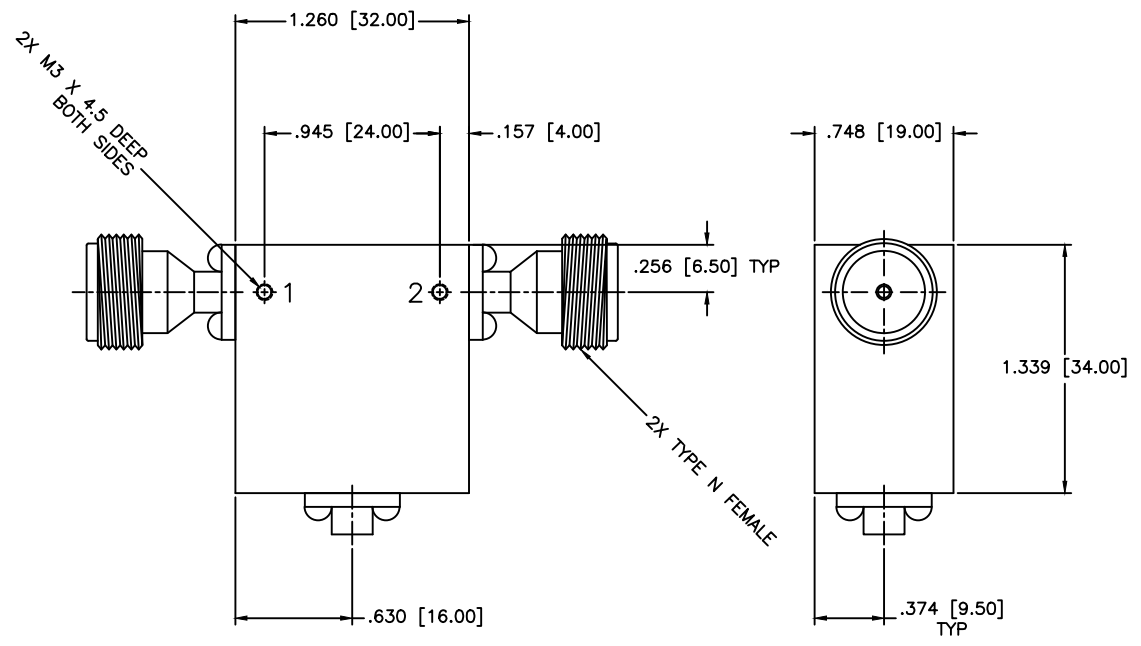




REVISIONS				
ZONE	REV	DESCRIPTION	Date	APPROVED



SPECIFICATIONS

Frequency Range: 1.03–1.09 GHz
 Operating Temperature: 0°C to +70°C
 Isolation: 20dB Min.
 Insertion loss: 0.40dB Max.
 VSWR: 1.25:1 Max.
 Circulator Power: 50W Avg, 2kW Peak

MATERIAL:		MCLI MICROWAVE COMMUNICATIONS LABORATORIES INC. 7255 30TH AVE. N. SAINT PETERSBURG, FL 33710 TEL: (727) 344-6254 FAX: (727) 381-6116 http://www.MCLI.COM	SCALE:	N/A
			SHEET:	N/A
UNLESS OTHERWISE SPECIFIED: TOLERANCES IN (INCHES) OR [mm] (MILLIMETERS) FRACTIONS: ± 1/64 DECIMALS: ±.01 ±.005 ANGLE: ±1/2°		DRAWING TITLE: COAXIAL ISOLATOR		
DRAWN: Paiboon Luekhamhan		PART NO.: IS-75/NF		
DATE: 06-29-2010		CAGE CODE: 0D2L5		
APPROVED: T. Nguyen		SIZE: A		
DATE: 06-29-2010		REV: A		
		DWG NO.: 81217		
DO NOT SCALE THE DRAWING				

