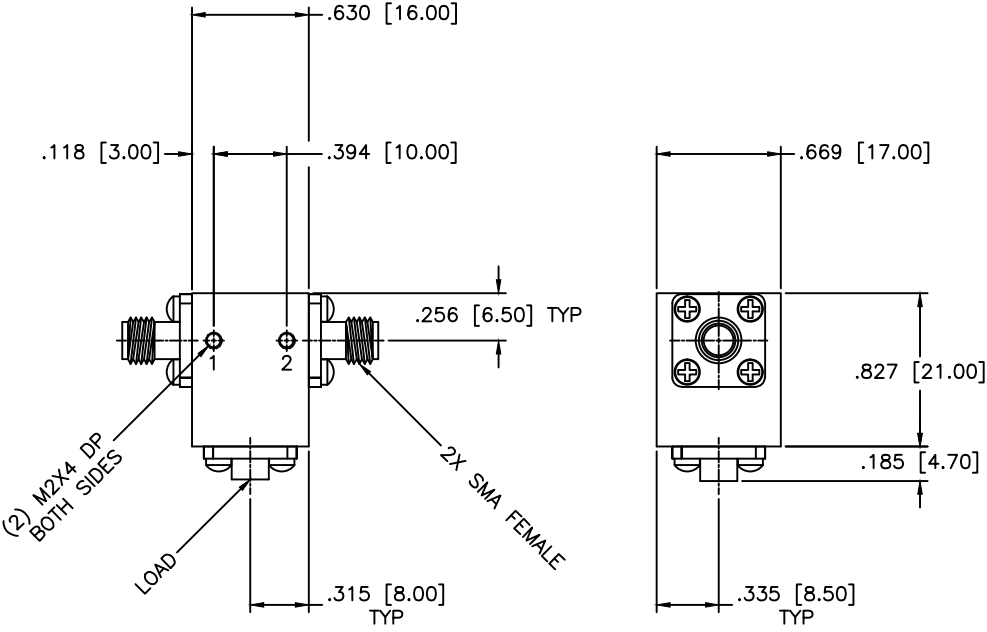


| REVISIONS |     |             |      |          |
|-----------|-----|-------------|------|----------|
| ZONE      | REV | DESCRIPTION | Date | APPROVED |
|           |     |             |      |          |



**SPECIFICATIONS**

Frequency Range: 7.0–12.4 GHz  
 Isolation: 19dB Min.  
 Insertion loss: 0.60dB Max.  
 VSWR: 1.25:1 Max.  
 Operating Temperature: –50°C to +85°C  
 Average Power: 1 Watt

|                              |                     |
|------------------------------|---------------------|
| MATERIAL:                    |                     |
| DRAWN:<br>Paiboon Luekhamhan | DATE:<br>02-24-2012 |
| APPROVED:<br>T. Nguyen       | DATE:<br>02-24-2012 |

|   |  |                          |                  |                         |
|---|--|--------------------------|------------------|-------------------------|
|   | MICROWAVE COMMUNICATIONS LABORATORIES INC.<br>7255 30TH AVE. N. SAINT PETERSBURG, FL 33710<br>TEL: (727) 344-6254 FAX: (727) 381-6116<br><a href="http://WWW.MCLI.COM">http://WWW.MCLI.COM</a> |                          | SCALE:           | N/A                     |
|   | UNLESS OTHERWISE SPECIFIED:<br>TOLERANCES<br>IN (INCHES) OR [mm] (MILLIMETERS)<br>FRACTIONS: ± 1/64<br>DECIMALS: ±.01 ±.005<br>ANGLE: ±1/2°  |                          | SHEET:           | N/A                     |
| DRAWING TITLE:<br><b>COAXIAL ISOLATOR</b> |  | PART NO.<br><b>IS-74</b> |                  |                         |
| CAGE CODE:<br><b>OD2L5</b>                |  | SIZE:<br><b>A</b>        | REV:<br><b>A</b> | DWG NO.<br><b>84515</b> |
| DO NOT SCALE THE DRAWING                  |  |                          |                  |                         |

THIRD ANGLE PROJECTION