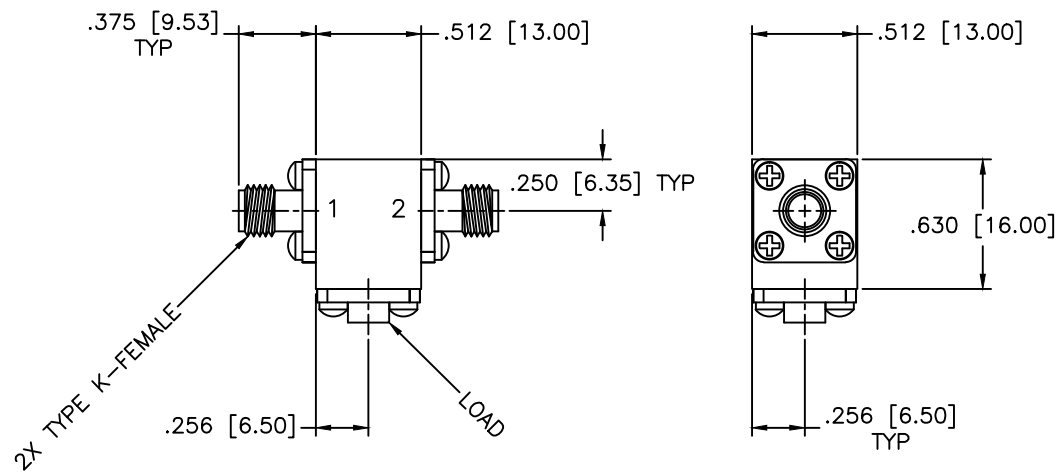


REVISIONS				
ZONE	REV	DESCRIPTION	Date	APPROVED



**SPECIFICATIONS**

Frequency Range: 30–34 GHz  
 Isolation: 18dB Min.  
 Insertion loss: 1.10dB Max.  
 VSWR: 1.35:1 Max.  
 Power Avg, Peak: 1W, 100W  
 Operating Temperature:  $-30^{\circ}\text{C}$  to  $+70^{\circ}\text{C}$

MATERIAL:		<b>MCLI</b> MICROWAVE COMMUNICATIONS LABORATORIES INC. 7255 30TH AVE. N. SAINT PETERSBURG, FL 33710 TEL: (727) 344-6254 FAX: (727) 381-6116 <a href="http://www.mcli.com">http://www.mcli.com</a>	SCALE: N/A
			SHEET: N/A
UNLESS OTHERWISE SPECIFIED: TOLERANCES IN (INCHES) OR (mm) (MILLIMETERS) FRACTIONS: $\pm 1/64$ DECIMALS: $\pm .01 \pm .005$ ANGLE: $\pm 1/2^{\circ}$		DRAWING TITLE: <b>COAXIAL ISOLATOR 1WATT</b>	
DRAWN: Paiboon Luekhamhan		PART NO.: IS-72	
DATE: 09-27-2007		CAGE CODE: OD2L5	
APPROVED: T. Nguyen		SIZE: N/A	REV: N/A
DATE: 09-27-2007		DWG NO.: 83930	
THIRD ANGLE PROJECTION		DO NOT SCALE THE DRAWING	