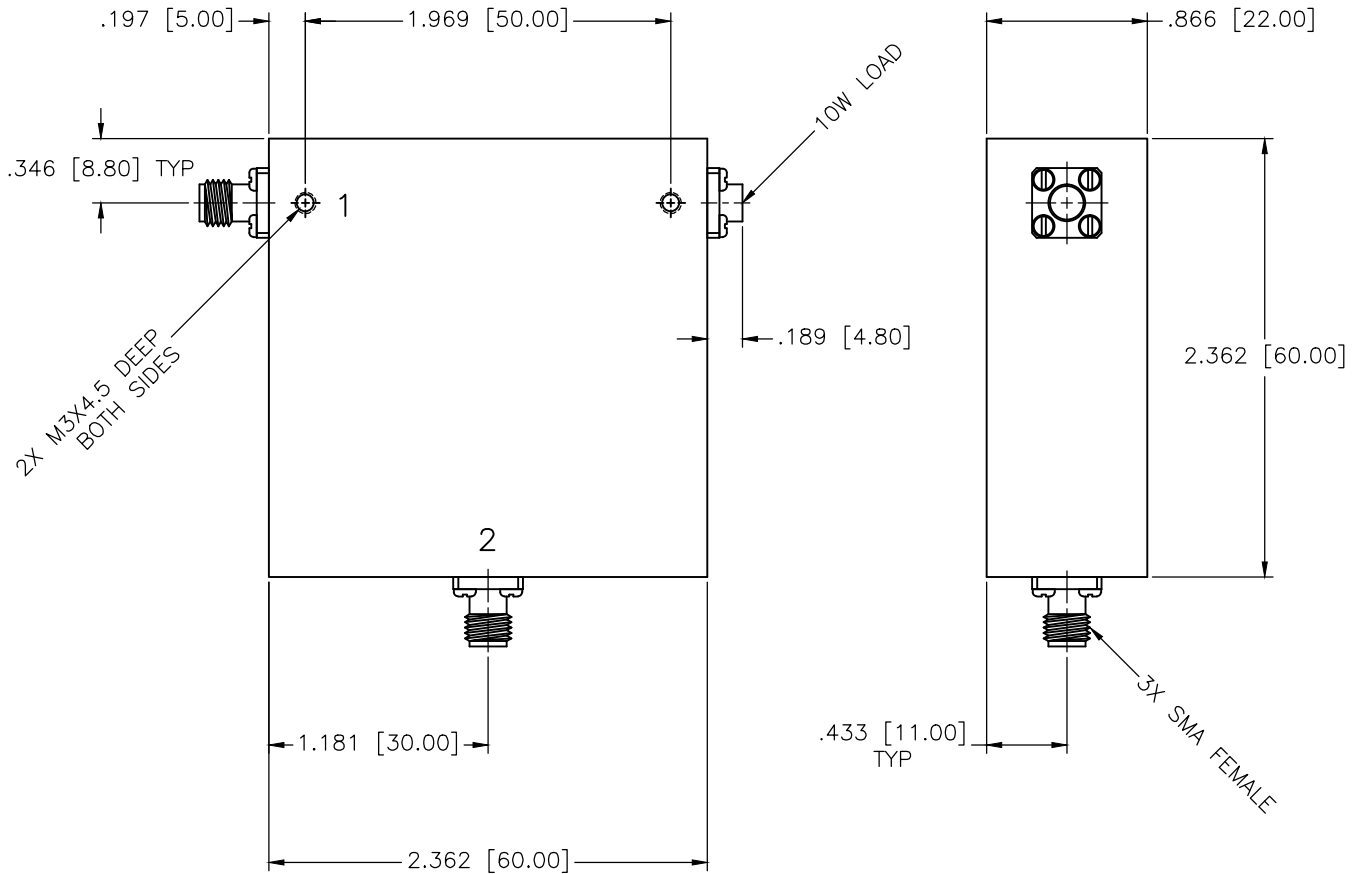


REVISIONS				
ZONE	REV	DESCRIPTION	DATE	APPROVED



SPECIFICATIONS

Frequency Range: 1.5–3.0 GHz
 Temperature Range: 0° to +55°C
 Isolation: 17dB Min.
 Insertion loss: 0.6dB Max.
 VSWR: 1.35:1 Max.
 Power Avg, Peak: 10W, 100W

MATERIAL:	
DRAWN:	DATE:
Pai boon luekhamhan	11-05-2007
APPROVED:	DATE:
T. Nguyen	11-05-2007

	MICROWAVE COMMUNICATIONS LABORATORIES INC. 7255 30TH AVE. N. SAINT PETERSBURG, FL 33710 TEL: (727) 344-6254 FAX: (727) 381-6116 http://WWW.MCLI.COM		SHEET:	N/A
	UNLESS OTHERWISE SPECIFIED: TOLERANCES IN (INCHES) OR [mm] (MILLIMETERS) FRACTIONS: ± 1/64 DECIMALS: ±.01 ±.005 ANGLE: ±1/2°		DRAWING TITLE:	COAXIAL ISOLATOR 10 WATTS
PROPRIETARY NOTICE: THE INFORMATION IN THIS DRAWING IS PROPRIETARY AND SHALL NOT BE USED OR DISCLOSED WITHOUT WRITTEN PERMISSION FROM MICROWAVE COMMUNICATIONS LABORATORIES INC. (MCLI)		PART NO. IS-7-10/C		
CAGE CODE:	SIZE:	REV:	DWG NO.	
OD2L5	A	N/A	82977	
DO NOT SCALE THE DRAWING				