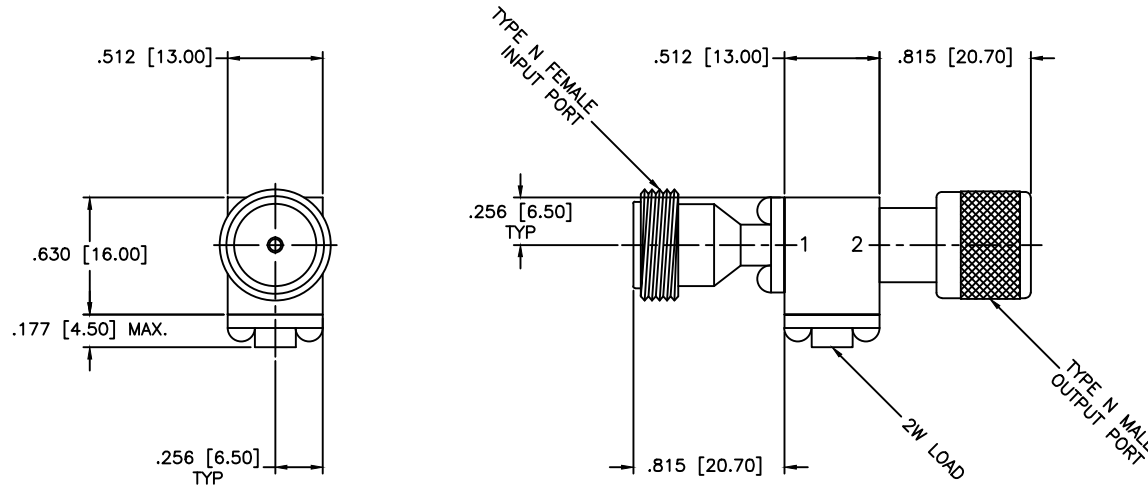


REVISIONS				
ZONE	REV	DESCRIPTION	Date	APPROVED



**SPECIFICATIONS**

Frequency Range: 10.95–12.75 GHz  
 Isolation: 18dB Min.  
 Insertion loss: 0.50dB Max.  
 VSWR: 1.35:1 Max.  
 Power: 2W Avg, 20W Peak  
 Operating Temperature: -54°C to +85°C

MATERIAL:		<b>MCLI</b> MICROWAVE COMMUNICATIONS LABORATORIES INC. 7255 30TH AVE. N. SAINT PETERSBURG, FL 33710 TEL: (727) 344-6254 FAX: (727) 381-6116 <a href="http://WWW.MCLI.COM">http://WWW.MCLI.COM</a>		SCALE:	N/A
UNLESS OTHERWISE SPECIFIED: TOLERANCES IN (INCHES) OR [mm] (MILLIMETERS) FRACTIONS: ± 1/64 DECIMALS: ±.01 ±.005 ANGLE: ±1/2°		DRAWING TITLE: <b>COAXIAL ISOLATOR</b>			
DRAWN: Palboon Luekhamhan		DATE: 02-09-2007		PART NO. <b>IS-63-2/NFI/NMO</b>	
APPROVED: T. Nguyen		DATE: 02-09-2007		CAGE CODE:	SIZE: N/A
PROPRIETARY NOTICE: THE INFORMATION IN THIS DRAWING IS PROPRIETARY AND SHALL NOT BE USED OR DISCLOSED WITHOUT WRITTEN PERMISSION FROM MICROWAVE COMMUNICATIONS LABORATORIES INC. (MCLI)		THIRD ANGLE PROJECTION		REV: N/A	DWG NO. 82770
				DO NOT SCALE THE DRAWING	