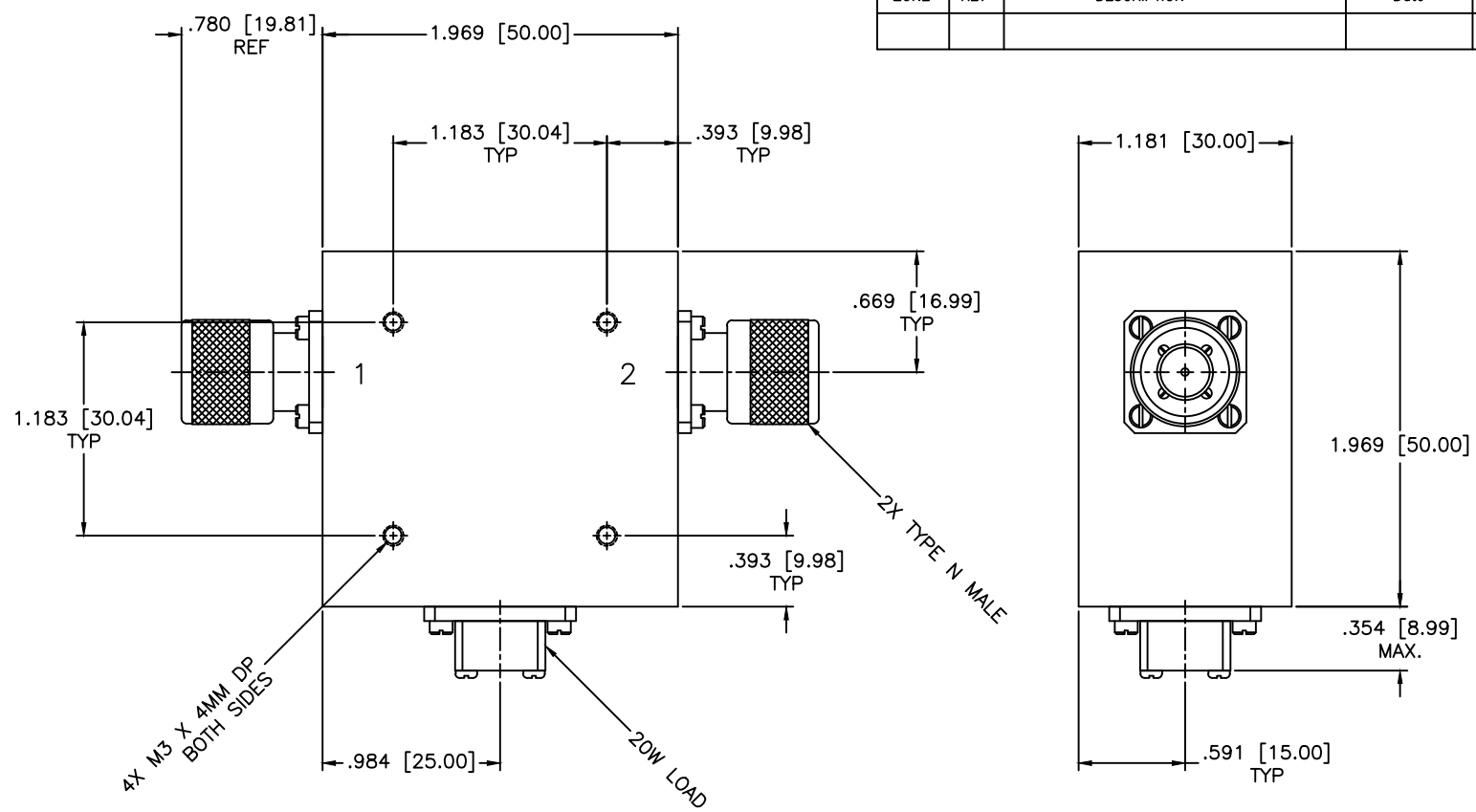


REVISIONS				
ZONE	REV	DESCRIPTION	Date	APPROVED



SPECIFICATIONS

Frequency Range: 345–355 MHz
 Isolation: 20dB Min.
 Insertion loss: 0.3dB Max.
 VSWR: 1.20:1 Max.
 Power Avg, Peak: 20W, 50W
 Operating Temperature: -10°C to +60°C

MATERIAL:		MCLI MICROWAVE COMMUNICATIONS LABORATORIES INC. 7255 30TH AVE. N. SAINT PETERSBURG, FL 33710 TEL: (727) 344-6254 FAX: (727) 381-6116 http://WWW.MCLI.COM	SCALE: N/A
			SHEET: N/A
UNLESS OTHERWISE SPECIFIED: TOLERANCES IN (INCHES) OR [mm] (MILLIMETERS) FRACTIONS: ± 1/64 DECIMALS: ±.01 ±.005 ANGLE: ±1/2°		DRAWING TITLE: ISOLATOR 20 WATTS	
DRAWN: Paiboon Luekhamhan DATE: 04-11-2006		PART NO.: IS-58-20	
APPROVED: T. Nguyen DATE: 04-11-2006		CAGE CODE: OD2L5	SIZE: N/A REV: N/A DWG NO. 82167
THIRD ANGLE PROJECTION		DO NOT SCALE THE DRAWING	