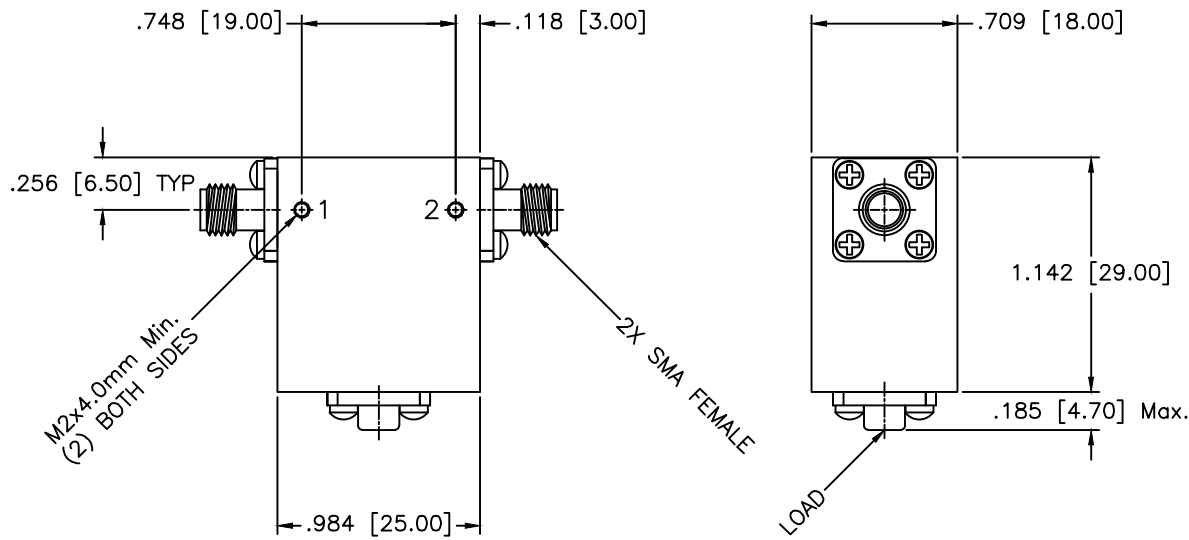


REVISIONS				
ZONE	REV	DESCRIPTION	Date	APPROVED



**SPECIFICATIONS**

Frequency Range: 3.7–8.2 GHz  
 Isolation: 17dB Min.  
 Insertion loss: 0.60dB Max.  
 VSWR: 1.35:1 Max.  
 Power Avg: 1 Watt  
 Net Weight: 50 Grams Max.  
 Operating Temperature: 54°C to +85°C  
  
 Room Temp: +25±5°C  
 Isolation: 20dB Min.  
 Insertion loss: 0.50dB Max.  
 VSWR: 1.25:1 Max.  
 Peak Power: 25 Watts

MATERIAL:		<b>MCLI</b> MICROWAVE COMMUNICATIONS LABORATORIES INC. 7255 30TH AVE. N. SAINT PETERSBURG, FL 33710 TEL: (727) 344-6254 FAX: (727) 381-6116 http://WWW.MCLI.COM	SCALE:	N/A
			SHEET:	N/A
UNLESS OTHERWISE SPECIFIED: TOLERANCES IN (INCHES) OR (mm) (MILLIMETERS) FRACTIONS: ± 1/64 DECIMALS: ±.01 ±.005 ANGLE: ±1/2°		DRAWING TITLE: <b>COAXIAL ISOLATOR</b>		
DRAWN: Paiboon		PART NO.: IS-5		
DATE: 02-26-2024		CAGE CODE: OD2L5		
APPROVED: Peter Nguyen		DATE: 02-26-2024		DWG NO.: 82104
THIRD ANGLE PROJECTION		SIZE: N/A REV: N/A		
		DO NOT SCALE THE DRAWING		