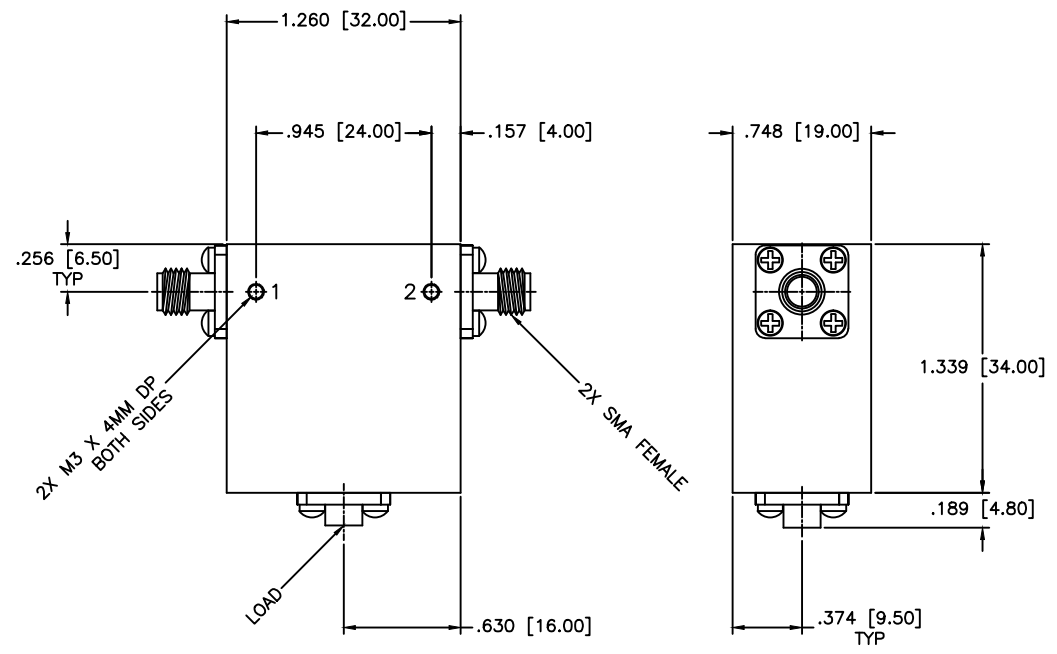


REVISIONS				
ZONE	REV	DESCRIPTION	Date	APPROVED



SPECIFICATIONS
 Frequency Range: 1.8–2 GHz
 Isolation: 20dB Min.
 Insertion loss: 0.4dB Max.
 VSWR: 1.22:1 Max.
 Operating Temperature: -30°C to +70°C
 Power: 50W Avg, 100W Peak

MATERIAL:		MCLI MICROWAVE COMMUNICATIONS LABORATORIES INC. 7255 30TH AVE. N. SAINT PETERSBURG, FL 33710 TEL: (727) 344-6254 FAX: (727) 381-6116 http://WWW.MCLI.COM	SCALE: N/A
			SHEET: N/A
UNLESS OTHERWISE SPECIFIED: TOLERANCES IN (INCHES) OR [mm] (MILLIMETERS) FRACTIONS: ± 1/64 DECIMALS: ±.01 ±.005 ANGLE: ±1/2°		DRAWING TITLE: COAXIAL ISOLATOR	
DRAWN: Paiboon Luekhamhan DATE: 04-21-2011		PART NO.: IS-47	
APPROVED: T. Nguyen DATE: 04-21-2011		CAGE CODE: OD2L5	SIZE: A REV: N/A DWG NO.: 85638
<small>PROPRIETARY NOTICE: THE INFORMATION IN THIS DRAWING IS PROPRIETARY AND SHALL NOT BE USED OR DISCLOSED WITHOUT WRITTEN PERMISSION FROM MICROWAVE COMMUNICATIONS LABORATORIES INC. (MCLI)</small>		<small>THIRD ANGLE PROJECTION</small> 	
		DO NOT SCALE THE DRAWING	