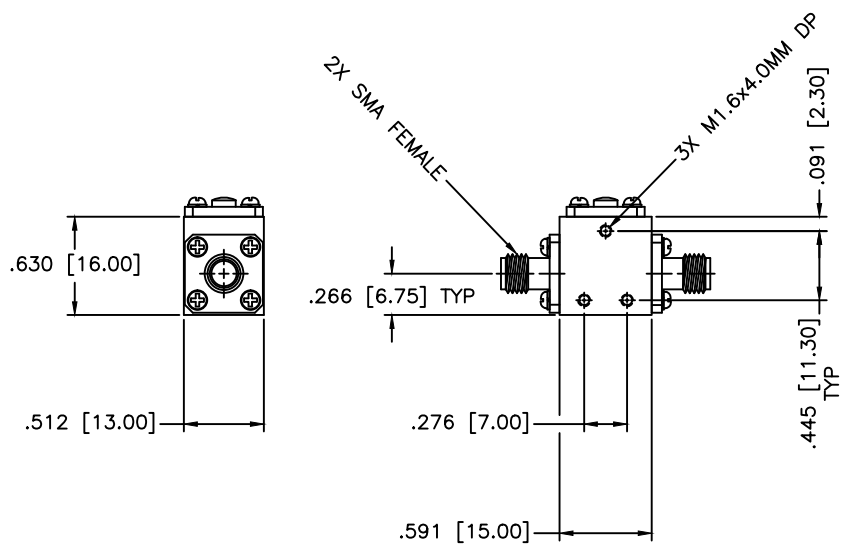


REVISIONS				
ZONE	REV	DESCRIPTION	DATE	APPROVED



Part No.	Freq. Range (GHz)	Insertion Loss (dB) Max.	Reverse Isolation (dB) Min.	VSWR Max.	Power Fwd. (W)	Power Rev. (W)	Temperature Range, °C
IS-456	7.95-8.55	0.3	22	1.20	2	1	-45 to +75
IS-457	8.0-8.6	0.3	22	1.20	2	1	-45 to +75

MATERIAL:			MICROWAVE COMMUNICATIONS LABORATORIES INC. 7255 30TH AVE. N. SAINT PETERSBURG, FL 33710 TEL: (727) 344-6254 FAX: (727) 381-6116 http://WWW.MCLI.COM		SCALE:	N/A
			UNLESS OTHERWISE SPECIFIED: TOLERANCES IN (INCHES) OR [mm] (MILLIMETERS) FRACTIONS: ± 1/64 DECIMALS: ±.02 ±.009 ANGLE: ±1/2°	DRAWING TITLE:		COAXIAL ISOLATOR
DRAWN:		DATE:	PART NO.:		IS-456-457	
Paiboon		06-19-2024	CAGE CODE:		SIZE:	REV:
APPROVED:		DATE:	OD2L5		N/A	N/A
T. Nguyen		06-19-2024	DO NOT SCALE THE DRAWING		DWG NO. 87262	
		THIRD ANGLE PROJECTION				