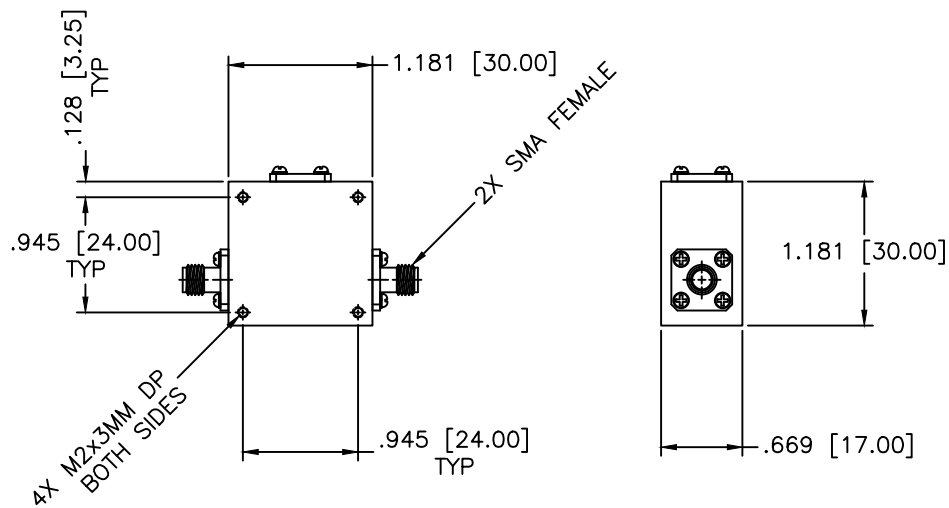


REVISIONS				
ZONE	REV	DESCRIPTION	DATE	APPROVED



Part No.	Freq. Range (GHz)	Insertion Loss (dB) Max.	Reverse Isolation (dB) Min.	VSWR Max.	Power		Temperature Range, °C
					Fwd. (W)	Rev. (W)	
IS-410	2-4	0.5	18	1.35	30	10	-20 to +65
IS-411	2.15-2.90	0.6	20	1.25	30	10	-10 to +70
IS-412	2.2-2.9	0.6	22	1.25	10	10	-15 to +70
IS-413	2.025-3.125	0.6	19	1.25	30	10	-20 to +65
IS-414	2.3-3.0	0.6	20	1.20	30	10	0 to +60

MATERIAL:			MICROWAVE COMMUNICATIONS LABORATORIES INC. 7255 30TH AVE. N. SAINT PETERSBURG, FL 33710 TEL: (727) 344-6254 FAX: (727) 381-6116 http://WWW.MCLI.COM		SCALE:	N/A
			UNLESS OTHERWISE SPECIFIED: TOLERANCES IN (INCHES) OR [mm] (MILLIMETERS) FRACTIONS: ± 1/64 DECIMALS: ±.02 ±.009 ANGLE: ±1/2°	DRAWING TITLE:		COAXIAL ISOLATOR
DRAWN:		DATE:	PART NO.:		IS-410-414	
Paiboon		06-14-2024	CAGE CODE:		SIZE:	N/A
APPROVED:		DATE:	REV:		DWG NO.:	
T. Nguyen		06-14-2024	OD2L5		87253	
		PROPRIETARY NOTICE: THE INFORMATION IN THIS DRAWING IS PROPRIETARY AND SHALL NOT BE USED OR DISCLOSED WITHOUT WRITTEN PERMISSION FROM MICROWAVE COMMUNICATIONS LABORATORIES INC. (MCLI)	THIRD ANGLE PROJECTION 		DO NOT SCALE THE DRAWING	