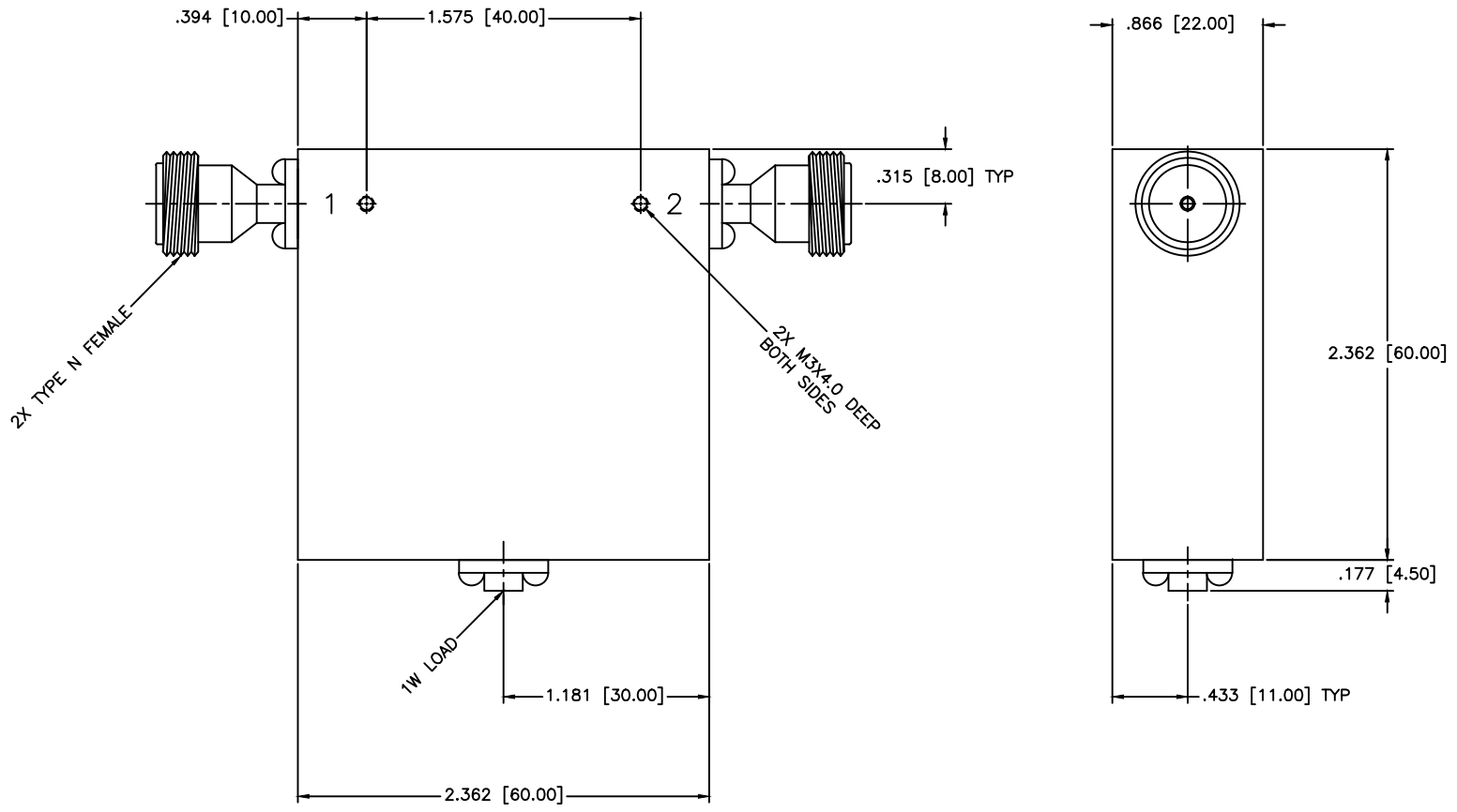


REVISIONS				
ZONE	REV	DESCRIPTION	Date	APPROVED



SPECIFICATIONS

Frequency Range: 1-2 GHz
 Operating Temperature: +10°C to +40°C
 Isolation: 17dB Min.
 Insertion Loss: 0.6 dB Max.
 VSWR: 1.35:1 Max.
 Circulator Power Avg/Peak: 50W / 100W

MATERIAL:			MICROWAVE COMMUNICATIONS LABORATORIES INC. 7255 30TH AVE. N. SAINT PETERSBURG, FL 33710 TEL: (727) 344-6254 FAX: (727) 381-6116 http://WWW.MCLI.COM		SCALE: N/A
UNLESS OTHERWISE SPECIFIED: TOLERANCES IN (INCHES) OR (mm) (MILLIMETERS) FRACTIONS: ± 1/64 DECIMALS: ±.01 ±.005 ANGLE: ±1/2°			DRAWING TITLE: 1WATT COAXIAL ISOLATOR		SHEET: N/A
DRAWN: Paiboon Luekhamhan DATE: 01-04-2008		PROPRIETARY NOTICE: THE INFORMATION IN THIS DRAWING IS PROPRIETARY AND SHALL NOT BE USED OR DISCLOSED WITHOUT WRITTEN PERMISSION FROM MICROWAVE COMMUNICATIONS LABORATORIES INC. (MCLI)		PART NO.: IS-3/NF	
APPROVED: T. Nguyen DATE: 01-04-2008		THIRD ANGLE PROJECTION 		CAGE CODE: OD2L5	SIZE: N/A REV: N/A DWG NO.: 83030
DO NOT SCALE THE DRAWING					