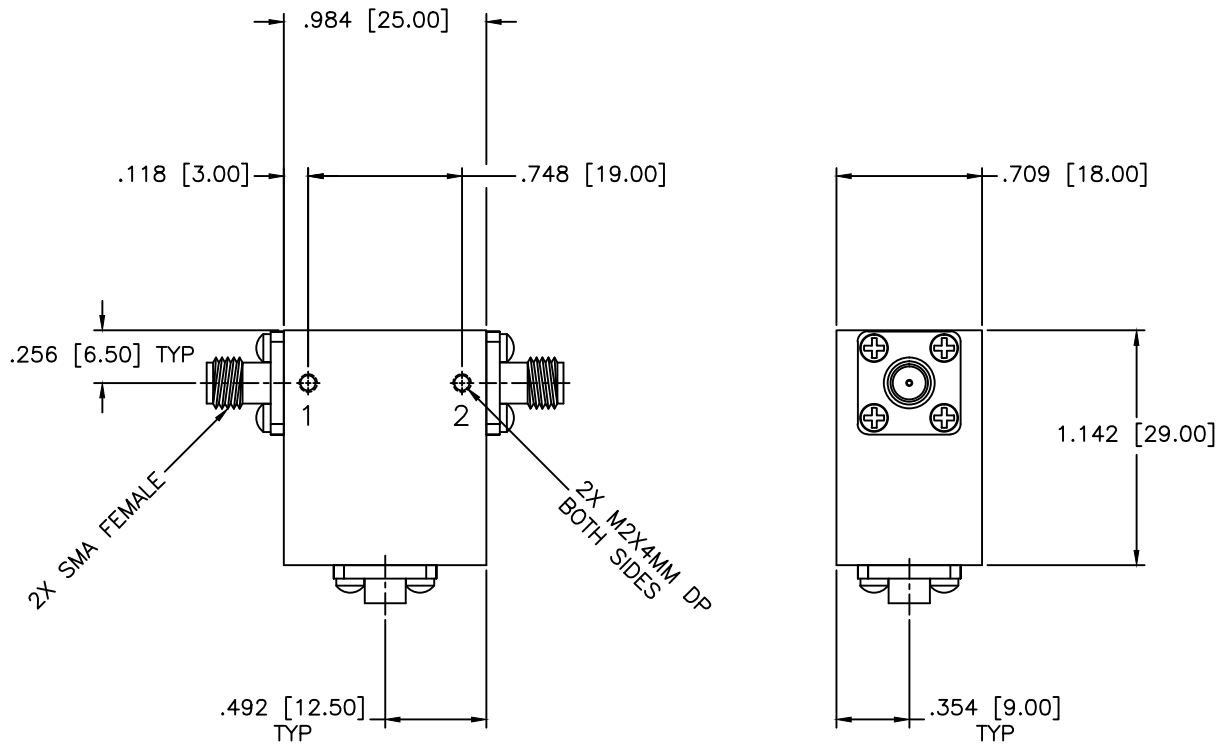


REVISIONS				
ZONE	REV	DESCRIPTION	Date	APPROVED



SPECIFICATIONS

Frequency Range: 5.85–6.40 GHz
 Isolation: 23dB Min.
 Insertion loss: 0.35dB Max.
 VSWR: 1.15:1 Max.
 Circulator Power: 25W Avg, 250W Peak.
 Operating Temperature: -30°C to +70°C

MATERIAL:		MICROWAVE COMMUNICATIONS LABORATORIES INC. 7255 30TH AVE. N. SAINT PETERSBURG, FL 33710 TEL: (727) 344-6254 FAX: (727) 381-6116 http://WWW.MCLI.COM	SCALE: N/A
			SHEET: N/A
UNLESS OTHERWISE SPECIFIED: TOLERANCES IN (INCHES) OR [mm] (MILLIMETERS) FRACTIONS: ± 1/64 DECIMALS: ±.01 ±.005 ANGLE: ±1/2°		DRAWING TITLE: COAXIAL ISOLATOR	
DRAWN: Paiboon luekhamhan		PART NO.: IS-39	
DATE: 3-30-2011		CAGE CODE: OD2L5	
APPROVED: T. Nguyen		SIZE: N/A	REV: N/A
DATE: 3-30-2011		DWG NO.: 85591	
PROPRIETARY NOTICE: THE INFORMATION IN THIS DRAWING IS PROPRIETARY AND SHALL NOT BE USED OR DISCLOSED WITHOUT WRITTEN PERMISSION FROM MICROWAVE COMMUNICATIONS LABORATORIES INC. (MCLI)		DO NOT SCALE THE DRAWING	
THIRD ANGLE PROJECTION 			