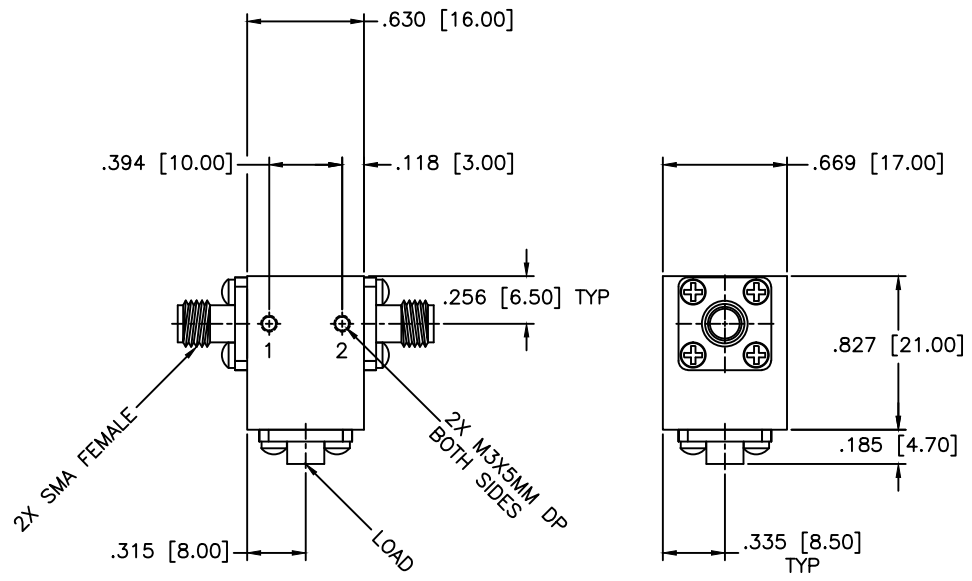


| REVISIONS |     |             |      |          |
|-----------|-----|-------------|------|----------|
| ZONE      | REV | DESCRIPTION | DATE | APPROVED |



**SPECIFICATIONS**

Frequency Range: 12–18 GHz  
 Isolation: 18dB Min.  
 Insertion loss: 0.60dB Max.  
 VSWR: 1.30:1 Max.  
 Operating Temperature: -54°C to +85°C  
 Power: 25W Avg, 250W Peak

|                              |                     |
|------------------------------|---------------------|
| MATERIAL:                    |                     |
| DRAWN:<br>Paiboon Luekhamhan | DATE:<br>09-17-2010 |
| APPROVED:<br>T. Nguyen       | DATE:<br>09-17-2010 |

|                                    |  |                   |                  |
|------------------------------------|--|-------------------|------------------|
|                                    | MICROWAVE COMMUNICATIONS LABORATORIES INC.<br>7255 30TH AVE. N. SAINT PETERSBURG, FL 33710<br>TEL: (727) 344-6254 FAX: (727) 381-6116<br>http://WWW.MCLI.COM |                   | SCALE:<br>N/A    |
|                                    | UNLESS OTHERWISE SPECIFIED:<br>TOLERANCES<br>IN (INCHES) OR [mm] (MILLIMETERS)<br>FRACTIONS: ± 1/64<br>DECIMALS: ±.01 ±.005<br>ANGLE: ±1/2°                  |                   | SHEET:<br>N/A    |
| DRAWING TITLE:<br>COAXIAL ISOLATOR |  | PART NO.<br>IS-34 |                  |
| CAGE CODE:<br>OD2L5                | SIZE:<br>A   | REV:<br>A         | DWG NO.<br>82120 |
| DO NOT SCALE THE DRAWING           |  |                   |                  |

PROPRIETARY NOTICE:  
 THE INFORMATION IN THIS DRAWING IS PROPRIETARY  
 AND SHALL NOT BE USED OR DISCLOSED WITHOUT WRITTEN  
 PERMISSION FROM MICROWAVE COMMUNICATIONS  
 LABORATORIES INC. (MCLI)

THIRD ANGLE PROJECTION