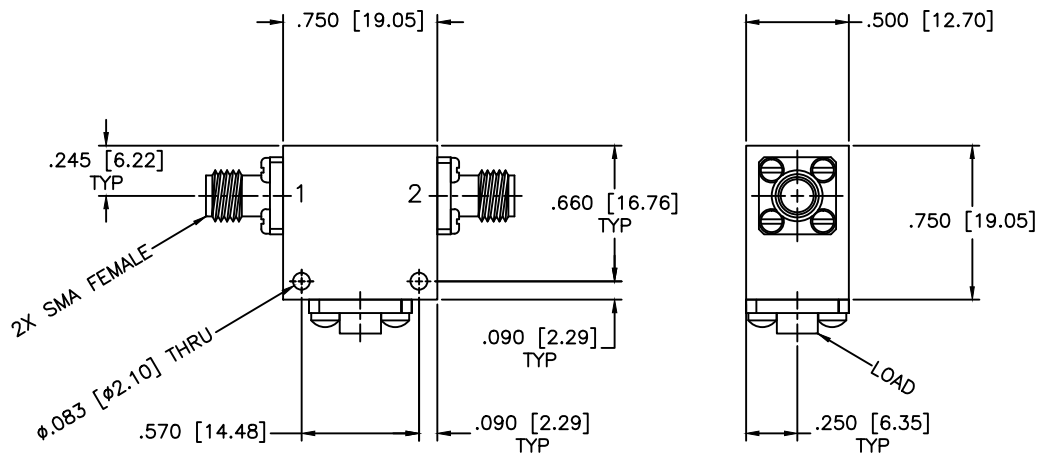


REVISIONS				
ZONE	REV	DESCRIPTION	Date	APPROVED



SPECIFICATIONS

Frequency Range: 12–18 GHz
 Isolation: 20dB Min.
 Insertion loss: 0.50dB Max.
 VSWR: 1.25:1 Max.
 Average Power: 1 Watt
 Operating Temperature: -20°C to +80°C

MATERIAL:		MCLI MICROWAVE COMMUNICATIONS LABORATORIES INC. 7255 30TH AVE. N. SAINT PETERSBURG, FL 33710 TEL: (727) 344-6254 FAX: (727) 381-6116 http://www.mcli.com	SCALE:	N/A
			SHEET:	N/A
UNLESS OTHERWISE SPECIFIED: TOLERANCES IN (INCHES) OR (mm) (MILLIMETERS) FRACTIONS: $\pm 1/64$ DECIMALS: $\pm .02 \pm .008$ ANGLE: $\pm 1/2^\circ$		DRAWING TITLE: COAXIAL ISOLATOR		
DRAWN: Paiboon Luekhamhan		PART NO. IS-34-1		
DATE: 12-20-2013		CAGE CODE:		
APPROVED: T. Nguyen		DATE: 12-20-2013		
THIRD ANGLE PROJECTION		SIZE:	N/A	REV:
		OD2L5	N/A	DWG NO. 86485
DO NOT SCALE THE DRAWING				