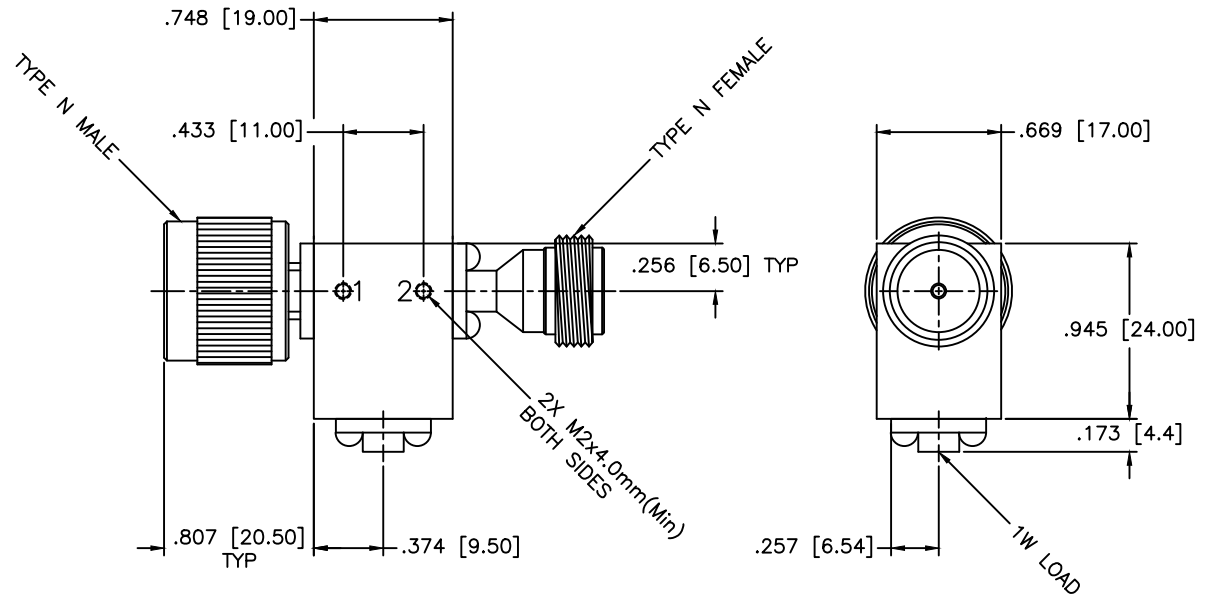


REVISIONS				
ZONE	REV	DESCRIPTION	Date	APPROVED



SPECIFICATIONS

Frequency Range: 6.0–7.0 GHz
 Isolation: 23dB Min.
 Insertion loss: 0.40dB Max.
 VSWR: 1.20:1 Max.
 Forward Power: 5W CW
 Reverse Power: 1W CW
 Operating Temperature: -10°C to +60°C

MATERIAL:		MCLI MICROWAVE COMMUNICATIONS LABORATORIES INC. 7255 30TH AVE. N. SAINT PETERSBURG, FL 33710 TEL: (727) 344-6254 FAX: (727) 381-6116 http://WWW.MCLI.COM	SCALE: N/A
			SHEET: N/A
UNLESS OTHERWISE SPECIFIED: TOLERANCES IN (INCHES) OR [mm] (MILLIMETERS) FRACTIONS: ± 1/64 DECIMALS: ±.01 ±.007 ANGLE: ±1/2°		DRAWING TITLE: COAXIAL ISOLATOR	
DRAWN: PAIBOON LUEKHAMHAN		PART NO.: IS-334/NMI	
DATE: 10-19-2021		CAGE CODE: OD2L5	
APPROVED: THEN NGUYEN		SIZE: N/A	REV: N/A
DATE: 10-19-2021		DWG NO.: 86928	
THIRD ANGLE PROJECTION		DO NOT SCALE THE DRAWING	