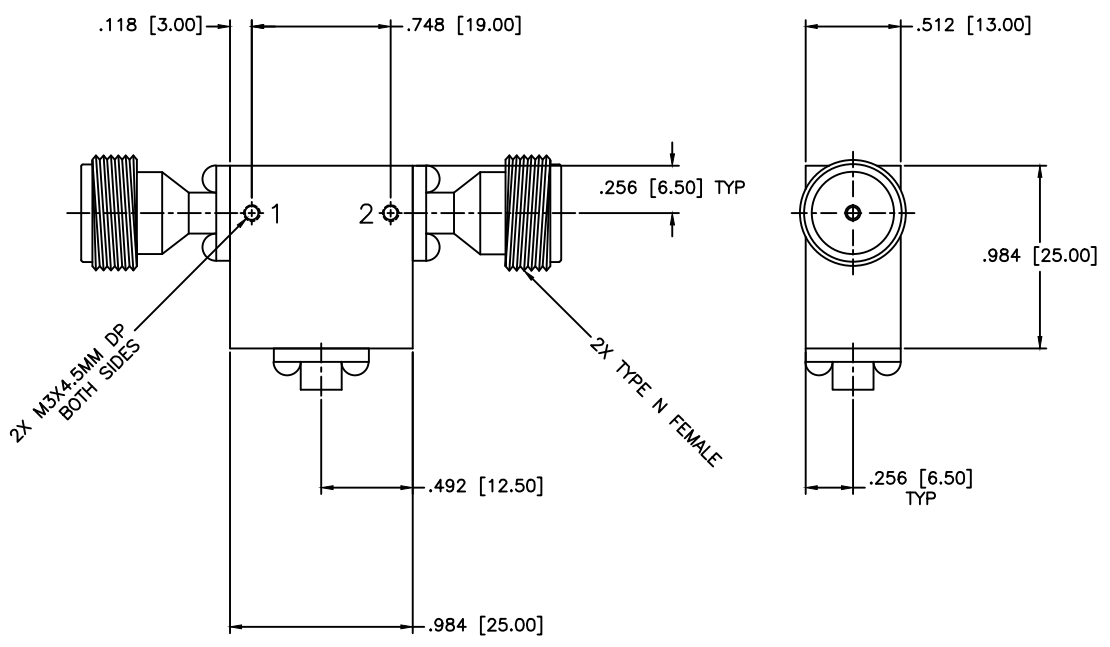




REVISIONS				
ZONE	REV	DESCRIPTION	Date	APPROVED



SPECIFICATIONS AT +25°C

- Frequency Range: 1.03–1.09 GHz
- Isolation: 25dB Min.
- Insertion loss: 0.45dB Max.
- VSWR: 1.18:1 Max.
- Average Power: 1 Watt

MATERIAL:		MCLI MICROWAVE COMMUNICATIONS LABORATORIES INC. 7255 30TH AVE. N. SAINT PETERSBURG, FL 33710 TEL: (727) 344-6254 FAX: (727) 381-6116 http://www.MCLI.COM	SCALE:	N/A
			SHEET:	N/A
UNLESS OTHERWISE SPECIFIED: TOLERANCES IN (INCHES) OR [mm] (MILLIMETERS) FRACTIONS: ± 1/64 DECIMALS: ±.01 ±.005 ANGLE: ±1/2°		DRAWING TITLE: COAXIAL ISOLATOR		
DRAWN: Paiboon Luekhamhan		PART NO.: IS-32/NF		
DATE: 11-17-2011		CAGE CODE: 0D2L5		
APPROVED: T. Nguyen		SIZE: A		
DATE: 11-17-2011		REV: N/A		
THIRD ANGLE PROJECTION		DWG NO.: 85933		
DO NOT SCALE THE DRAWING				

