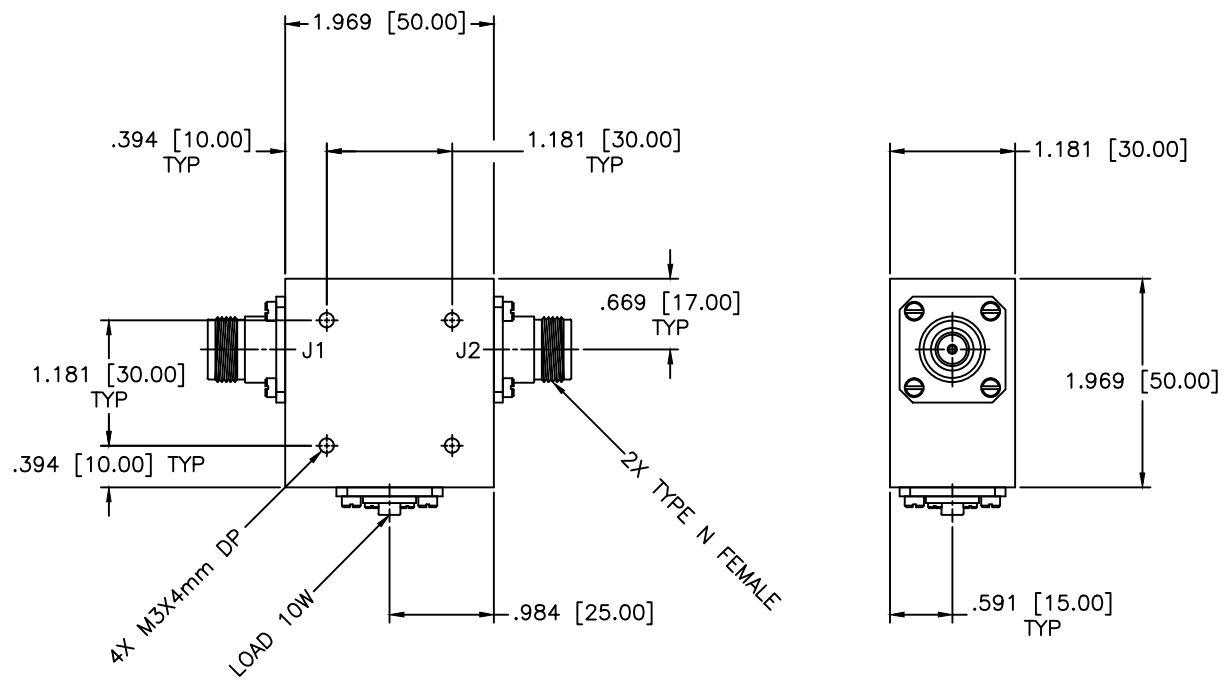


REVISIONS				
ZONE	REV	DESCRIPTION	DATE	APPROVED



SPECIFICATIONS

Frequency Range: 250–350 MHz
 Isolation: 20dB Min.
 Insertion loss: 0.80dB Max.
 VSWR: 1.30:1 Max.
 Power: 10W Avg, 100W Peak
 Operating Temperature: 0°C to +50°C

MATERIAL:				MICROWAVE COMMUNICATIONS LABORATORIES INC. 7250 30TH AVE. N. SAINT PETERSBURG, FL 33710 TEL: (727) 544-6254 FAX: (727) 381-8118 http://www.mcli.com		SCALE:	N/A
UNLESS OTHERWISE SPECIFIED:		TOLERANCES		DRAWING TITLE:		COAXIAL ISOLATOR	
IN (INCHES) OR (mm) (MILLIMETERS)		FRACTIONS: ± 1/64		PART NO.:		IS-327/NF	
DECIMALS: ± 0.02 ± 0.015		ANGLE: ± 1/2°		CAGE CODE:		SIZE:	N/A
DRAWN BY:		DATE:	APPROVED BY:		DATE:	REV:	N/A
Paiboon Luekhamhan		01-05-2016	T. Nguyen		01-05-2016	DO NOT SCALE THE DRAWING	
APPROVED:				DWG NO.:		86600	
T. Nguyen				OD2L5			