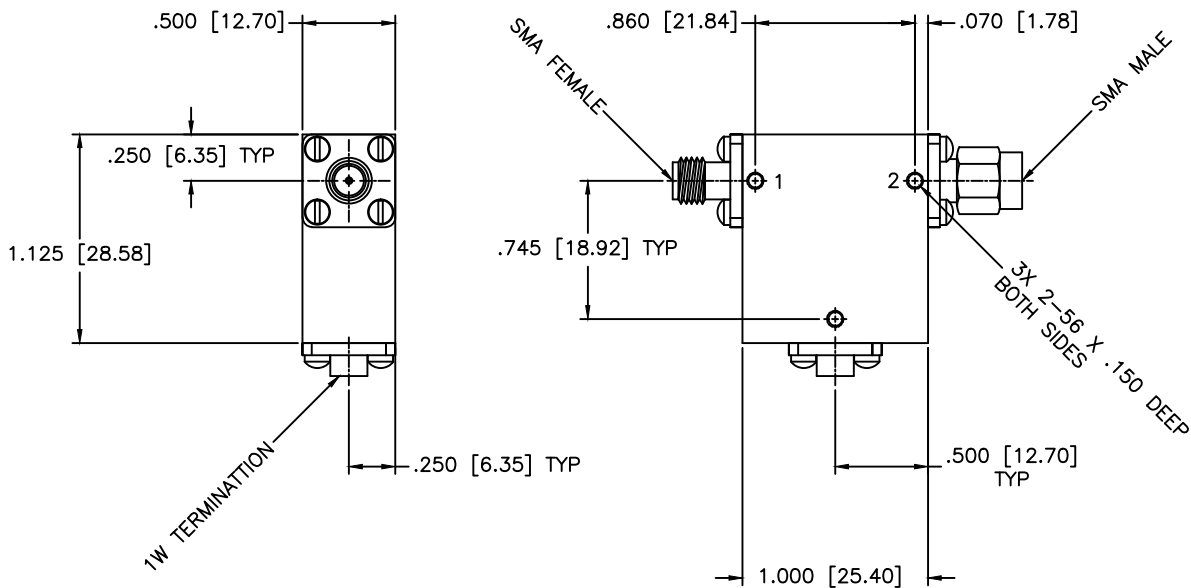


REVISIONS				
ZONE	REV	DESCRIPTION	DATE	APPROVED



SPECIFICATIONS

Frequency Range: 7.5–9 GHz
 Isolation: 25dB Min.
 Insertion loss: 0.25dB Max.
 VSWR: 1.20:1 Max.
 Power Avg: 1 Watt
 Operating Temperature: 0°C to +50°C

MATERIAL:		MICROWAVE COMMUNICATIONS LABORATORIES INC. 7255 30TH AVE. N. SAINT PETERSBURG, FL 33710 TEL: (727) 344-6254 FAX: (727) 381-6116 http://WWW.MCLI.COM	SCALE:	N/A
			SHEET:	N/A
UNLESS OTHERWISE SPECIFIED: TOLERANCES IN (INCHES) OR [mm] (MILLIMETERS) FRACTIONS: ± 1/64 DECIMALS: ±.02 ±.015 ANGLE: ±1/2°		DRAWING TITLE: COAXIAL ISOLATOR		
DRAWN: Paiboon Luekhamhan		PART NO. IS-321/SMO		
DATE: 11-28-2000	DATE: 11-28-2000	CAGE CODE: OD2L5	SIZE: A	REV: N/A
APPROVED: T. Nguyen	DATE: 11-28-2000	DO NOT SCALE THE DRAWING		DWG NO. 81576
PROPRIETARY NOTICE: THE INFORMATION IN THIS DRAWING IS PROPRIETARY AND SHALL NOT BE USED OR DISCLOSED WITHOUT WRITTEN PERMISSION FROM MICROWAVE COMMUNICATIONS LABORATORIES INC. (MCLI)		THIRD ANGLE PROJECTION		