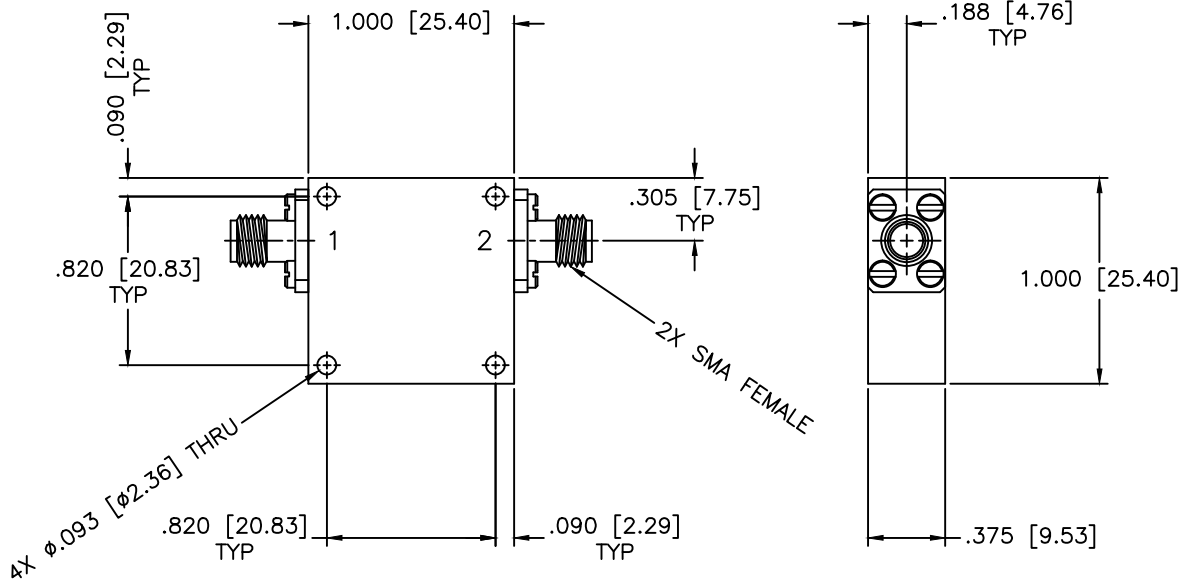


REVISIONS				
ZONE	REV	DESCRIPTION	Date	APPROVED



SPECIFICATIONS

Frequency Range: 0.89–0.91 GHz
 Isolation: 20dB Min.
 Insertion loss: 0.35dB Max.
 VSWR: 1.22:1 Max.
 Power Avg, Peak: 25W, 250W
 Operating Temperature: –54°C to +85°C

MATERIAL:		MICROWAVE COMMUNICATIONS LABORATORIES INC. 7255 30TH AVE. N. SAINT PETERSBURG, FL 33710 TEL: (727) 344-6254 FAX: (727) 381-6116 http://www.mcli.com		SCALE:	N/A
UNLESS OTHERWISE SPECIFIED: TOLERANCES IN (INCHES) OR [mm] (MILLIMETERS) FRACTIONS: ± 1/64 DECIMALS: ±.01 ±.005 ANGLE: ±1/2°				SHEET:	N/A
		DRAWING TITLE:		COAXIAL ISOLATOR	
DRAWN:		PART NO.		IS-32	
DATE:		CAGE CODE:		SIZE:	REV:
Paiboon Luekhamhan		OD2L5		N/A	N/A
DATE:		DWG NO.		DO NOT SCALE THE DRAWING	
08-25-2000		82096			
APPROVED:		THIRD ANGLE PROJECTION			
T. Nguyen					
DATE:					
08-25-2000					