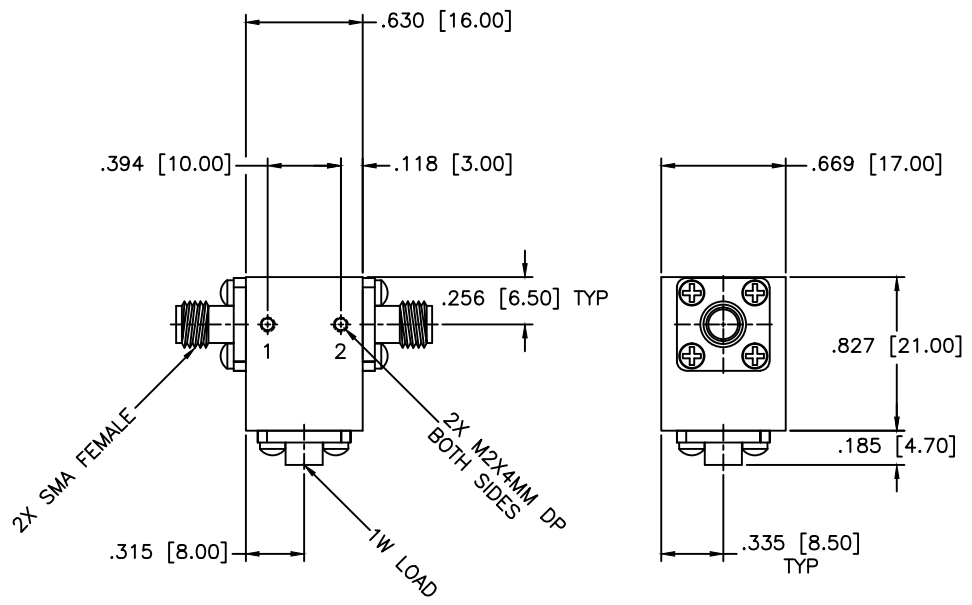


REVISIONS				
ZONE	REV	DESCRIPTION	DATE	APPROVED



SPECIFICATIONS

Frequency Range: 8–16 GHz
 Isolation: 17dB Min.
 Insertion loss: 0.60dB Max.
 VSWR: 1.35:1 Max.
 Operating Temperature: -54°C to +85°C
 Power: 1W Avg, 100W Peak

MATERIAL:	
DRAWN: Paiboon Luekhamhan	DATE: 02-06-2012
APPROVED: T. Nguyen	DATE: 02-06-2012

	MICROWAVE COMMUNICATIONS LABORATORIES INC. 7255 30TH AVE. N. SAINT PETERSBURG, FL 33710 TEL: (727) 344-6254 FAX: (727) 381-6116 http://WWW.MCLI.COM		SCALE: N/A
	UNLESS OTHERWISE SPECIFIED: TOLERANCES IN (INCHES) OR [mm] (MILLIMETERS) FRACTIONS: ± 1/64 DECIMALS: ±.01 ±.005 ANGLE: ±1/2°		SHEET: N/A
DRAWING TITLE: 1 WATT COAXIAL ISOLATOR		PART NO. IS-28	
CAGE CODE: OD2L5	SIZE: A	REV: A	DWG NO. 82116
DO NOT SCALE THE DRAWING			

PROPRIETARY NOTICE:
 THE INFORMATION IN THIS DRAWING IS PROPRIETARY
 AND SHALL NOT BE USED OR DISCLOSED WITHOUT WRITTEN
 PERMISSION FROM MICROWAVE COMMUNICATIONS
 LABORATORIES INC. (MCLI)

THIRD ANGLE PROJECTION