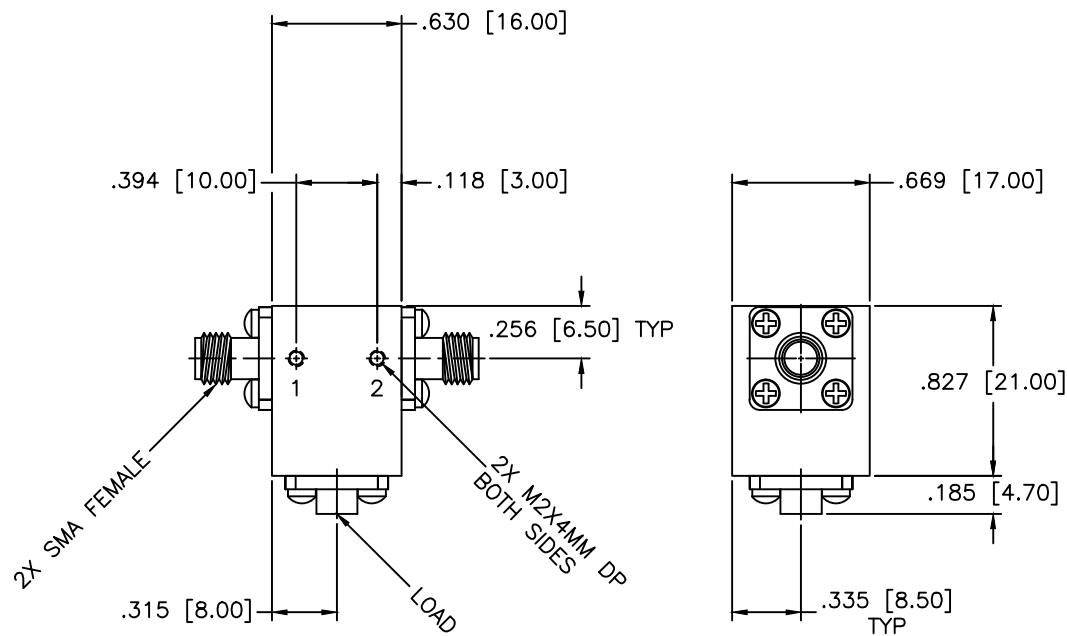


REVISIONS				
ZONE	REV	DESCRIPTION	Date	APPROVED



SPECIFICATIONS

Frequency Range: 6–12 GHz
 Isolation: 17dB Min.
 Insertion Loss: 0.7 dB Max.
 VSWR: 1.35:1 Max.
 Power: 25W Avg, 250W Peak
 Operating Temperature: -54°C TO +85°C

MATERIAL:	
DRAWN: Paiboon Luekhamhan	DATE: 08-06-2001
APPROVED: T. Nguyen	DATE: 08-06-2001



MICROWAVE COMMUNICATIONS LABORATORIES INC.
 7255 30TH AVE. N. SAINT PETERSBURG, FL 33710
 TEL: (727) 344-6254 FAX: (727) 381-6116
 http://WWW.MCLI.COM

SCALE:	N/A
SHEET:	N/A

UNLESS OTHERWISE SPECIFIED:
 TOLERANCES
 IN (INCHES) OR [mm] (MILLIMETERS)
 FRACTIONS: ± 1/64
 DECIMALS: ± 0.01 ± 0.05
 ANGLE: ± 1/2°

DRAWING TITLE: COAXIAL ISOLATOR			
PART NO. IS-24			
CAGE CODE: OD2L5	SIZE: N/A	REV: N/A	DWG NO. 82112
DO NOT SCALE THE DRAWING			

PROPRIETARY NOTICE:
 THE INFORMATION IN THIS DRAWING IS PROPRIETARY
 AND SHALL NOT BE USED OR DISCLOSED WITHOUT WRITTEN
 PERMISSION FROM MICROWAVE COMMUNICATIONS
 LABORATORIES INC. (MCLI)