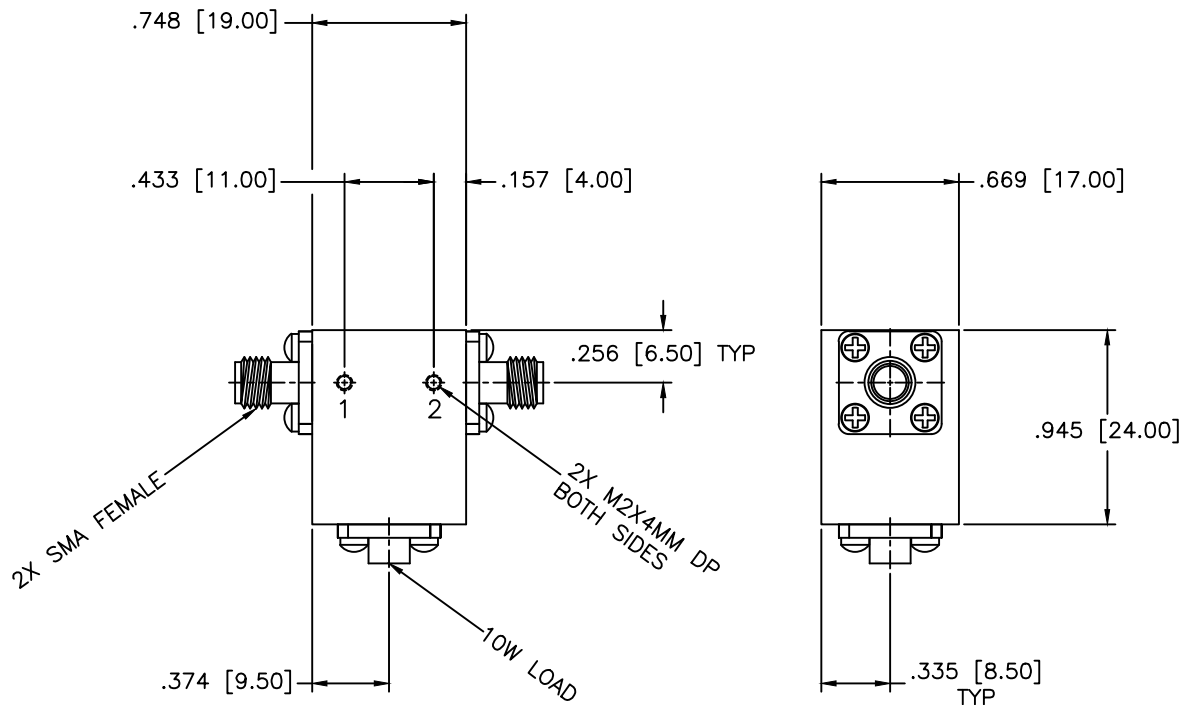


REVISIONS				
ZONE	REV	DESCRIPTION	Date	APPROVED



**SPECIFICATIONS**

Frequency Range: 5.2–10.4 GHz  
 Isolation: 17dB Min.  
 Insertion loss: 0.6dB Max.  
 VSWR: 1.35:1 Max.  
 Power Avg, Peak: 10W, 100W  
 Operating Temperature: -30°C to +70°C

MATERIAL:		<b>MCLI</b> MICROWAVE COMMUNICATIONS LABORATORIES INC. 7255 30TH AVE. N. SAINT PETERSBURG, FL 33710 TEL: (727) 344-6234 FAX: (727) 381-6116 http://WWW.MCLI.COM	SCALE:	N/A
			SHEET:	N/A
DRAWN: Paiboon Luekhamhan		DATE: 01-05-2005	DRAWING TITLE: COAXIAL ISOLATOR	
APPROVED: T. Nguyen		DATE: 01-05-2005	PART NO. IS-23	
PROPRIETARY NOTICE: THE INFORMATION IN THIS DRAWING IS PROPRIETARY AND SHALL NOT BE USED OR DISCLOSED WITHOUT WRITTEN PERMISSION FROM MICROWAVE COMMUNICATIONS LABORATORIES INC. (MCLI)		UNLESS OTHERWISE SPECIFIED: TOLERANCES IN (INCHES) OR [mm] (MILLIMETERS) FRACTIONS: ± 1/64 DECIMALS: ±.01 ±.005 ANGLE: ±1/2°	CAGE CODE: OD2L5	SIZE: N/A REV: N/A DWG NO. 82122
THIRD ANGLE PROJECTION		DO NOT SCALE THE DRAWING		