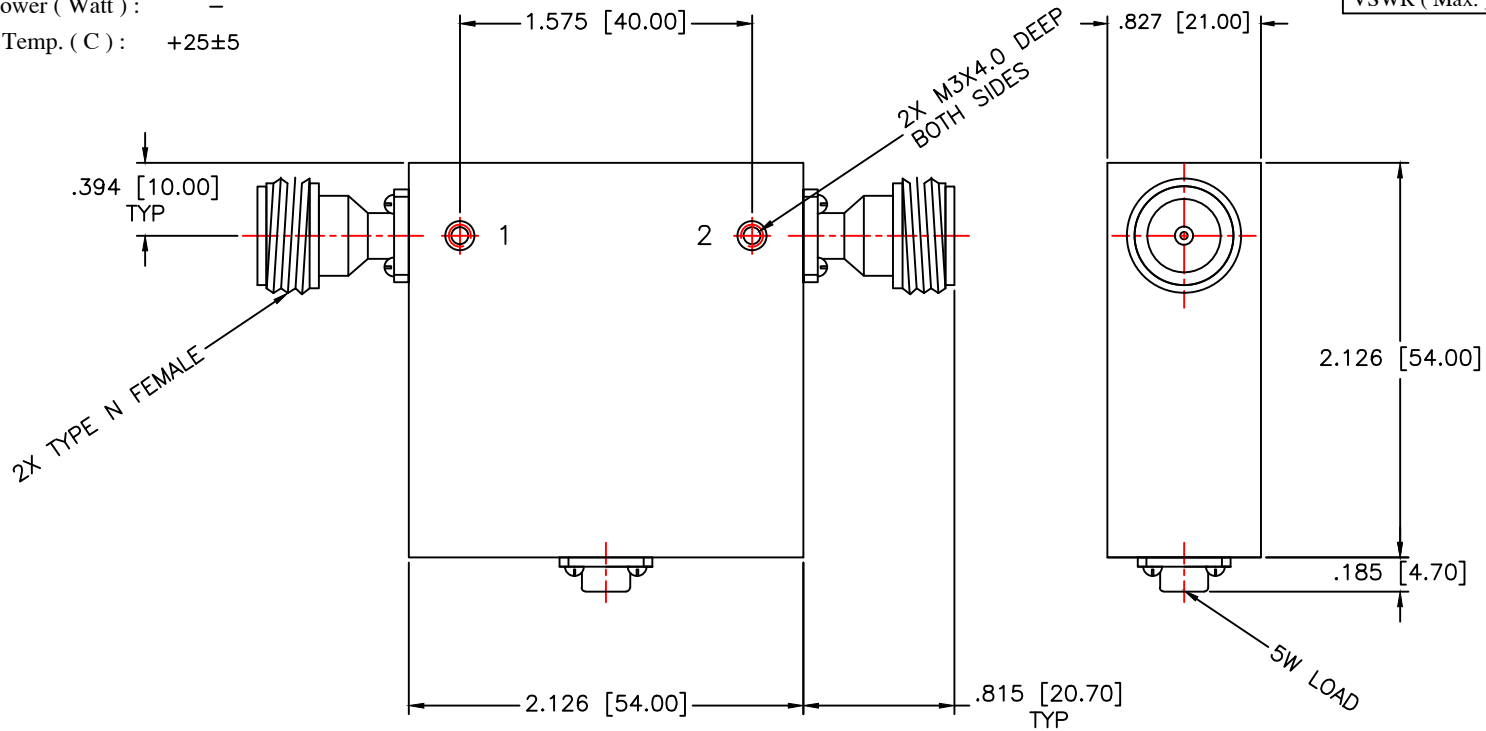


Frequency Range ( GHz ) : 1.700–3.000  
 Isolation dB ( Min. ) : 20  
 Insertion Loss dB ( Max. ) : 0.50  
 VSWR ( Max. ) : 1.25  
 Average Power ( Watt ) : -  
 Operating Temp. ( C ) : +25±5

REVISIONS				
ZONE	REV	DESCRIPTION	Date	APPROVED
			Room Temp :	+25±5°C
			Isolation dB ( Min. ) :	20
			Insertion Loss dB ( Max. ) :	0.50
			VSWR ( Max. ) :	1.25



NOTE :

Forward Power : 50 W @+25±5°C  
 Reverse Power : 5 W  
 Storage Temp : -40 To +85°C  
 Altitude : 45000 ft  
 Vibration : 10g rms (15 degree 2KHz)  
 Humidity : 100%RH at 35°C , 95%RH at 40°C  
 Shock : 20G for 11msc  
 Tested Power : 50 W

MATERIAL:		<b>MCLI</b> MICROWAVE COMMUNICATIONS LABORATORIES INC. 7255 30TH AVE. N. SAINT PETERSBURG, FL 33710 TEL: (727) 344-6254 FAX: (727) 381-6116 http://WWW.MCLI.COM		SCALE:	N/A
UNLESS OTHERWISE SPECIFIED: TOLERANCES IN (INCHES) OR [mm] (MILLIMETERS) FRACTIONS: ± 1/64 DECIMALS: ±.01 ±.008 ANGLE: ±1/2°		DRAWING TITLE:		COAXIAL ISOLATOR	
DRAWN:		DATE:		PART NO.	
T. Nguyen		10-13-2016		IS-205/NF	
APPROVED:		DATE:		CAGE CODE:	SIZE: N/A
T. Nguyen		10-13-2016		OD2L5	REV: A
THIRD ANGLE PROJECTION				DWG NO.	
				86664	
DO NOT SCALE THE DRAWING					