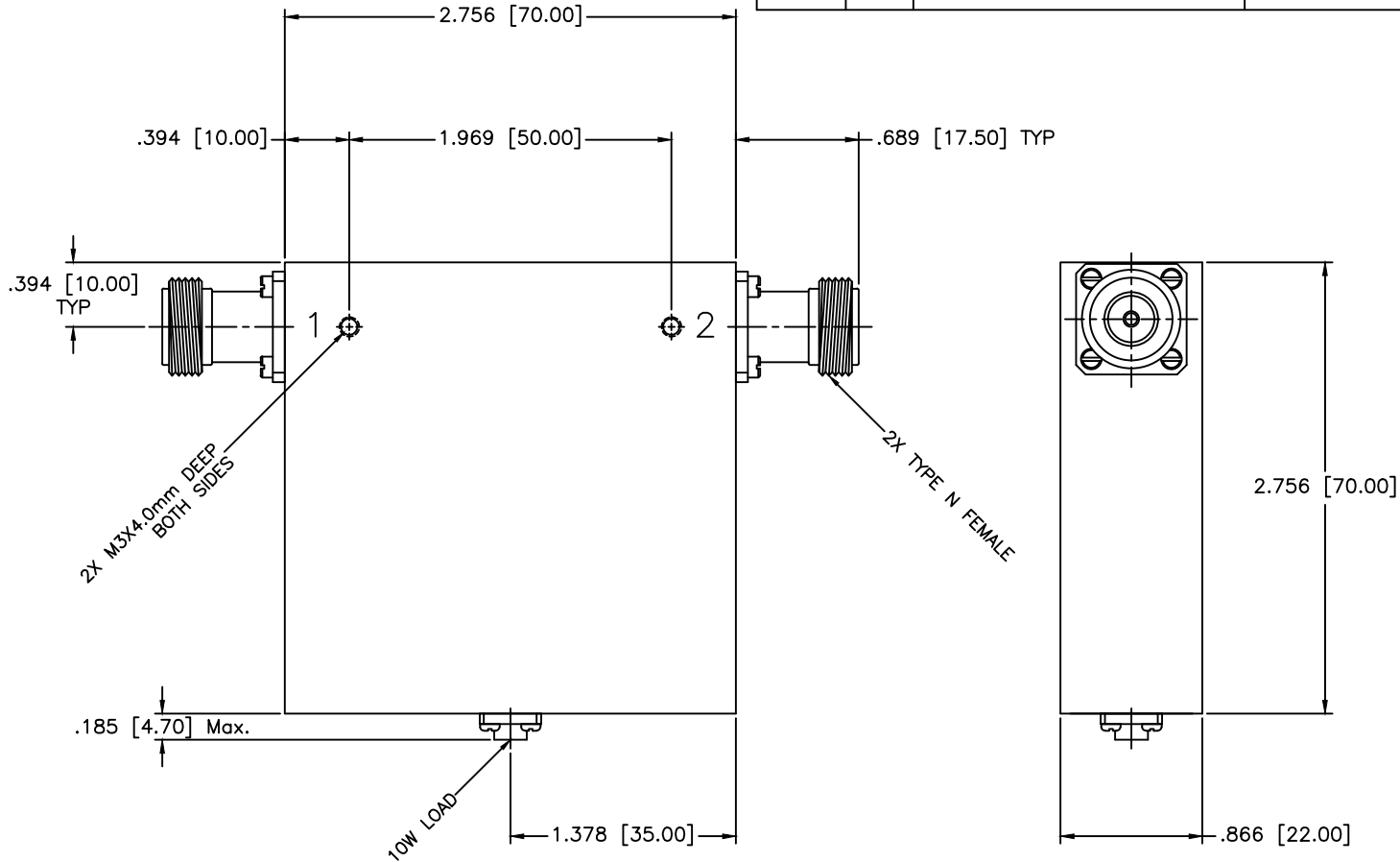


REVISIONS				
ZONE	REV	DESCRIPTION	DATE	APPROVED



SPECIFICATIONS

Frequency Range: 0.9–1.7 GHz
 Isolation: 17dB Min.
 Insertion loss: 0.60dB Max.
 VSWR: 1.35:1 Max.
 Operating Temperature: 0°C to +85°C

MATERIAL:			MICROWAVE COMMUNICATIONS LABORATORIES INC. 7255 30TH AVE. N. SAINT PETERSBURG, FL 33710 TEL: (727) 344-6254 FAX: (727) 381-6116 http://WWW.MCLI.COM		SCALE:	N/A
			UNLESS OTHERWISE SPECIFIED: TOLERANCES IN (INCHES) OR [mm] (MILLIMETERS) FRACTIONS: ± 1/64 DECIMALS: ±.02 ±.009 ANGLE: ±1/2°	DRAWING TITLE:		SHEET:
		PROPRIETARY NOTICE: THE INFORMATION IN THIS DRAWING IS PROPRIETARY AND SHALL NOT BE USED OR DISCLOSED WITHOUT WRITTEN PERMISSION FROM MICROWAVE COMMUNICATIONS LABORATORIES INC. (MCLI)	PART NO.		COAXIAL ISOLATOR	
DRAWN:		DATE:	IS-1/NF			
APPROVED:		DATE:	CAGE CODE:	SIZE:	REV:	DWG NO.
Paiboon Luekhamhan		11-08-2017	OD2L5	N/A	N/A	86421
T. Nguyen		11-08-2017	DO NOT SCALE THE DRAWING			

