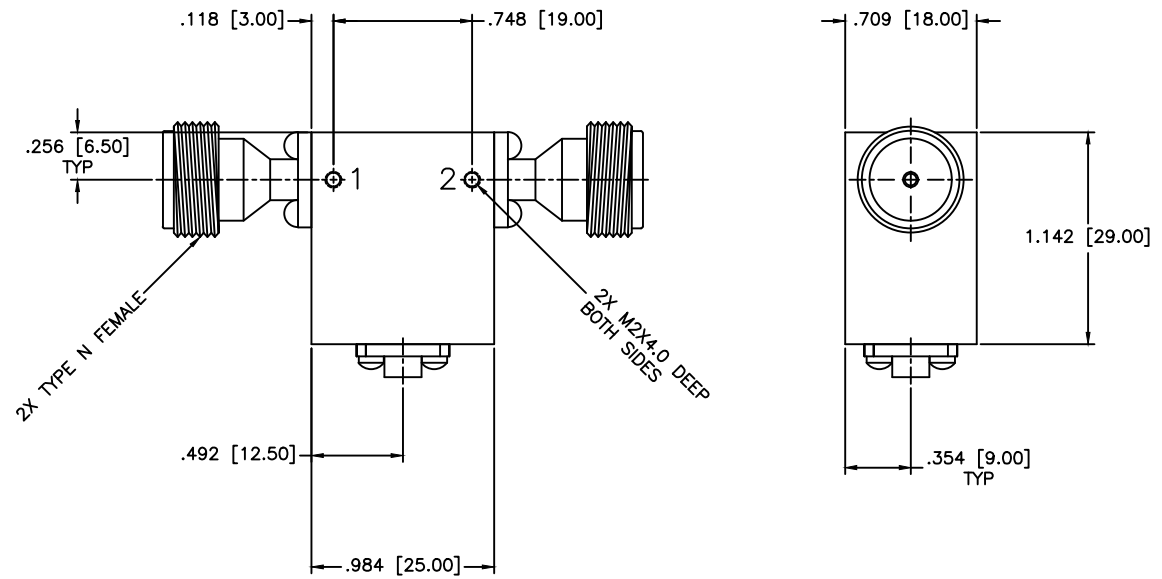




REVISIONS				
ZONE	REV	DESCRIPTION	Date	APPROVED



SPECIFICATIONS

Frequency Range: 4–8 GHz
 Isolation: 18dB Min.
 Insertion loss: 0.50dB Max.
 VSWR: 1.35:1 Max.
 Operating Temperature: -30°C to +70°C

MATERIAL:		MCLI MICROWAVE COMMUNICATIONS LABORATORIES INC. 7255 30TH AVE. N. SAINT PETERSBURG, FL 33710 TEL: (727) 344-6254 FAX: (727) 381-6116 http://www.MCLI.COM	SCALE: N/A
UNLESS OTHERWISE SPECIFIED: TOLERANCES IN (INCHES) OR [mm] (MILLIMETERS) FRACTIONS: ± 1/64 DECIMALS: ±.01 ±.005 ANGLE: ±1/2°			SHEET: N/A
DRAWN: Paiboon Luekhamhan		DATE: 11-22-2013	DRAWING TITLE: COAXIAL ISOLATOR
APPROVED: T. Nguyen		DATE: 11-22-2013	PART NO. IS-19/NF
PROPRIETARY NOTICE: THE INFORMATION ON THIS DRAWING IS PROPRIETARY AND SHALL NOT BE USED OR DISCLOSED WITHOUT WRITTEN PERMISSION FROM MICROWAVE COMMUNICATIONS LABORATORIES INC. (MCLI)		CAGE CODE: 0D2L5	SIZE: A REV: N/A DWG NO. 86430
THIRD ANGLE PROJECTION		DO NOT SCALE THE DRAWING	

