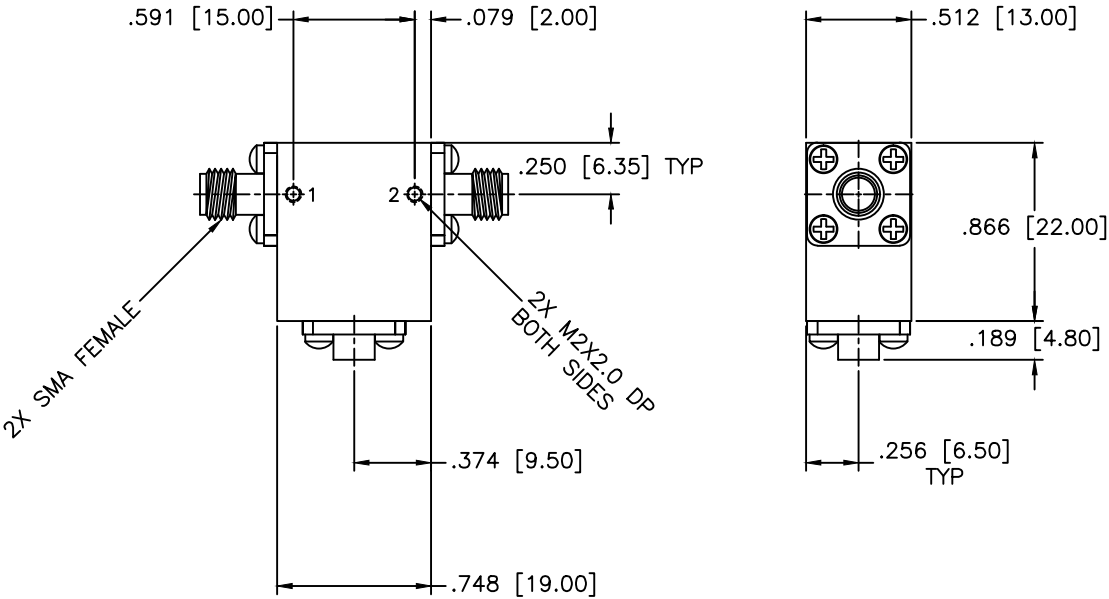


REVISIONS				
ZONE	REV	DESCRIPTION	Date	APPROVED



SPECIFICATIONS

Frequency Range: 6–13 GHz
 Isolation: 15dB Min.
 Insertion Loss: 0.7 dB Max.
 VSWR: 1.45:1 Max.
 Power Average, Reverse: 25W, 1W
 Operating Temperature: -10°C to +60°C

MATERIAL:		MCLI MICROWAVE COMMUNICATIONS LABORATORIES INC. 7255 30TH AVE. N. SAINT PETERSBURG, FL 33710 TEL: (727) 344-6254 FAX: (727) 381-6116 http://www.mcli.com	SCALE:	N/A		
UNLESS OTHERWISE SPECIFIED: TOLERANCES IN (INCHES) OR [mm] (MILLIMETERS) FRACTIONS: ± 1/64 DECIMALS: ±.01 ±.005 ANGLE: ±1/2°			DRAWING TITLE:	COAXIAL ISOLATOR		
DRAWN:		<small>PROPRIETARY NOTING: THE INFORMATION IN THIS DRAWING IS PROPRIETARY AND SHALL NOT BE USED OR DISCLOSED WITHOUT WRITTEN PERMISSION FROM MICROWAVE COMMUNICATIONS LABORATORIES INC. (MCLI)</small> 	PART NO.:	IS-199		
APPROVED:			CAGE CODE:	SIZE:	REV:	DWG NO.:
Paiboon Luekhamhan T. Nguyen		03-05-2021	03-05-2021	N/A	A	86545
			DO NOT SCALE THE DRAWING			