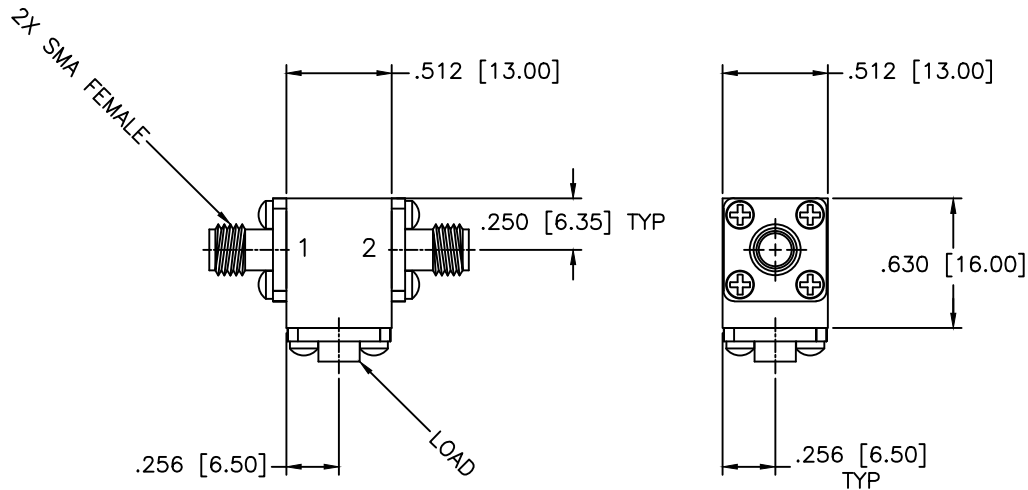


REVISIONS				
ZONE	REV	DESCRIPTION	Date	APPROVED



SPECIFICATIONS

Frequency Range: 11.5–19 GHz
 Isolation: 20dB Min.
 Insertion loss: 1.0dB Max.
 VSWR: 1.40:1 Max.
 Power: 1W Avg, 100W Peak
 Operating Temperature: –30°C to +70°C

MATERIAL:		MCLI MICROWAVE COMMUNICATIONS LABORATORIES INC. 7255 30TH AVE. N. SAINT PETERSBURG, FL 33710 TEL: (727) 344-6254 FAX: (727) 381-6116 http://WWW.MCLI.COM	SCALE:	N/A
			SHEET:	N/A
UNLESS OTHERWISE SPECIFIED: TOLERANCES IN (INCHES) OR [mm] (MILLIMETERS) FRACTIONS: ± 1/64 DECIMALS: ±.01 ±.005 ANGLE: ±1/2°		DRAWING TITLE: COAXIAL ISOLATOR 1WATT		
DRAWN: Paiboon Luekhamhan		PART NO.: IS-198		
DATE: 09-27-2007		CAGE CODE: OD2L5		
APPROVED: T. Nguyen		DATE: 09-27-2007		
THIRD ANGLE PROJECTION		SIZE: N/A	REV: N/A	DWG NO.: 82953
		DO NOT SCALE THE DRAWING		