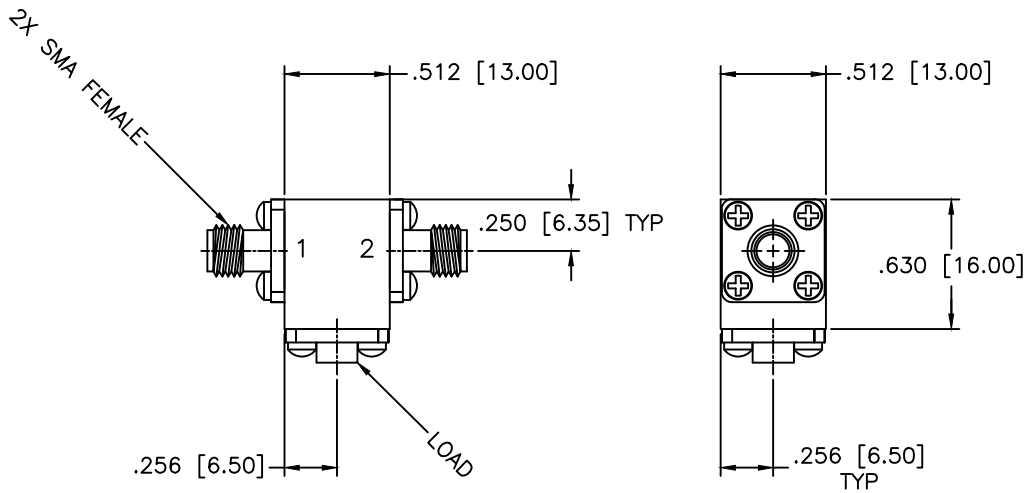


REVISIONS				
ZONE	REV	DESCRIPTION	Date	APPROVED



**SPECIFICATIONS**

Frequency Range: 5.1–5.3 GHz  
 Isolation: 20dB Min.  
 Insertion loss: 0.40dB Max.  
 VSWR: 1.25:1 Max.  
 Power: 1W Avg, 100W Peak  
 Operating Temperature: –30°C to +70°C

MATERIAL:		MICROWAVE COMMUNICATIONS LABORATORIES INC. 7255 30TH AVE. N. SAINT PETERSBURG, FL 33710 TEL: (727) 344-6254 FAX: (727) 381-6116 <a href="http://www.mcli.com">http://www.mcli.com</a>	SCALE:	N/A
			SHEET:	N/A
		UNLESS OTHERWISE SPECIFIED: TOLERANCES IN (INCHES) OR [mm] (MILLIMETERS) FRACTIONS: ± 1/64 DECIMALS: ±.01 ±.005 ANGLE: ±1/2°	DRAWING TITLE: <b>COAXIAL ISOLATOR 1 WATTS</b>	
DRAWN: Paiboon Luekhamhan		DATE: 03-13-2008	PART NO. <b>IS-197</b>	
APPROVED: T. Nguyen		DATE: 03-13-2008	CAGE CODE: OD2L5	SIZE: N/A REV: N/A DWG NO. 83089
		THIRD ANGLE PROJECTION	DO NOT SCALE THE DRAWING	