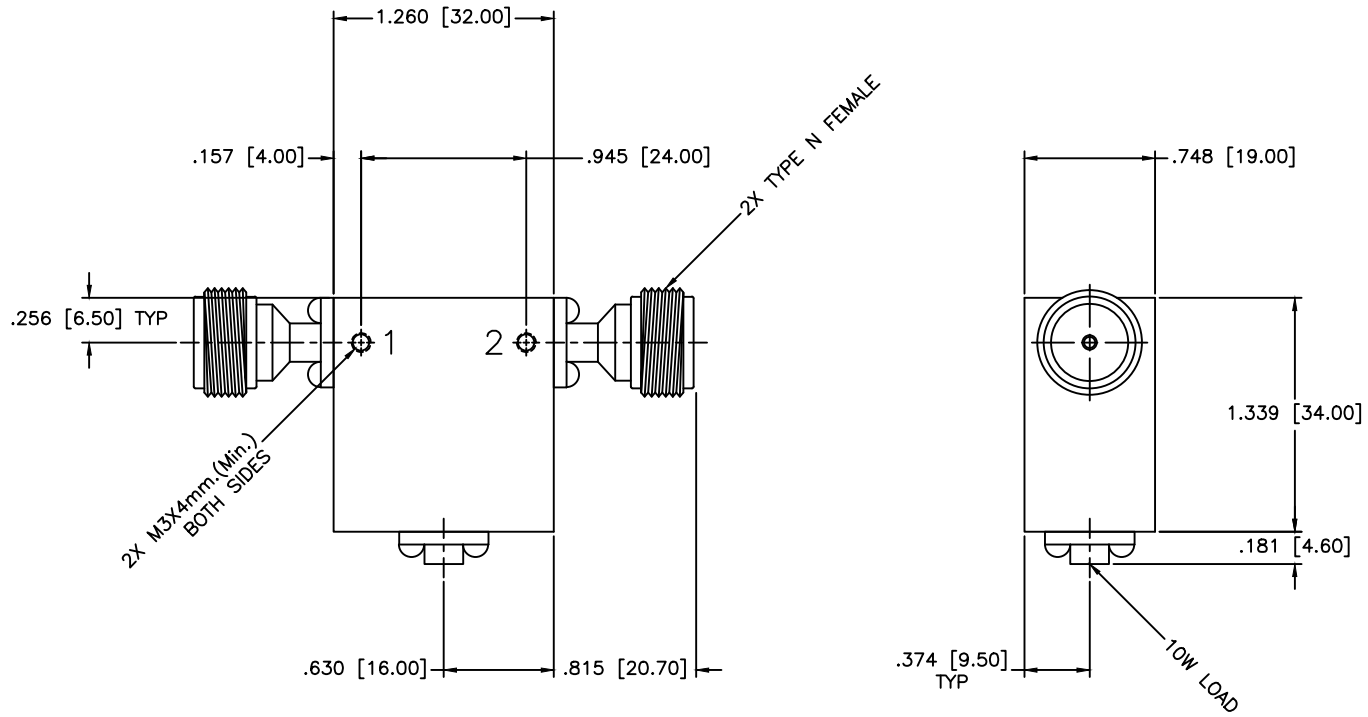


REVISIONS				
ZONE	REV	DESCRIPTION	Date	APPROVED



**SPECIFICATIONS**

Frequency Range: 2.5–5.5 GHz  
 Isolation: 16dB Min.  
 Insertion loss: 0.70dB Max.  
 VSWR: 1.40:1 Max.  
 Average Power: 10 Watts  
 Operating Temperature: –30°C to +70°C

MATERIAL:		<b>MCLI</b> MICROWAVE COMMUNICATIONS LABORATORIES INC. 7255 30TH AVE. N. SAINT PETERSBURG, FL 33710 TEL: (727) 344-6254 FAX: (727) 381-6116 <a href="http://WWW.MCLI.COM">http://WWW.MCLI.COM</a>	SCALE:	N/A
			SHEET:	N/A
UNLESS OTHERWISE SPECIFIED: TOLERANCES IN (INCHES) OR [mm] (MILLIMETERS) FRACTIONS: ± 1/64 DECIMALS: ± .015 ANGLE: ± 1/2°		DRAWING TITLE: <b>COAXIAL ISOLATOR</b>		
DRAWN: Paiboon Luekhamhan		PART NO. <b>IS-195/NF</b>		
DATE: 04-01-2021	DATE: 04-01-2021	CAGE CODE: <b>OD2L5</b>	SIZE: N/A	REV: N/A
APPROVED: T. Nguyen	DATE: 04-01-2021	DO NOT SCALE THE DRAWING		DWG NO. <b>86291</b>
THIRD ANGLE PROJECTION				