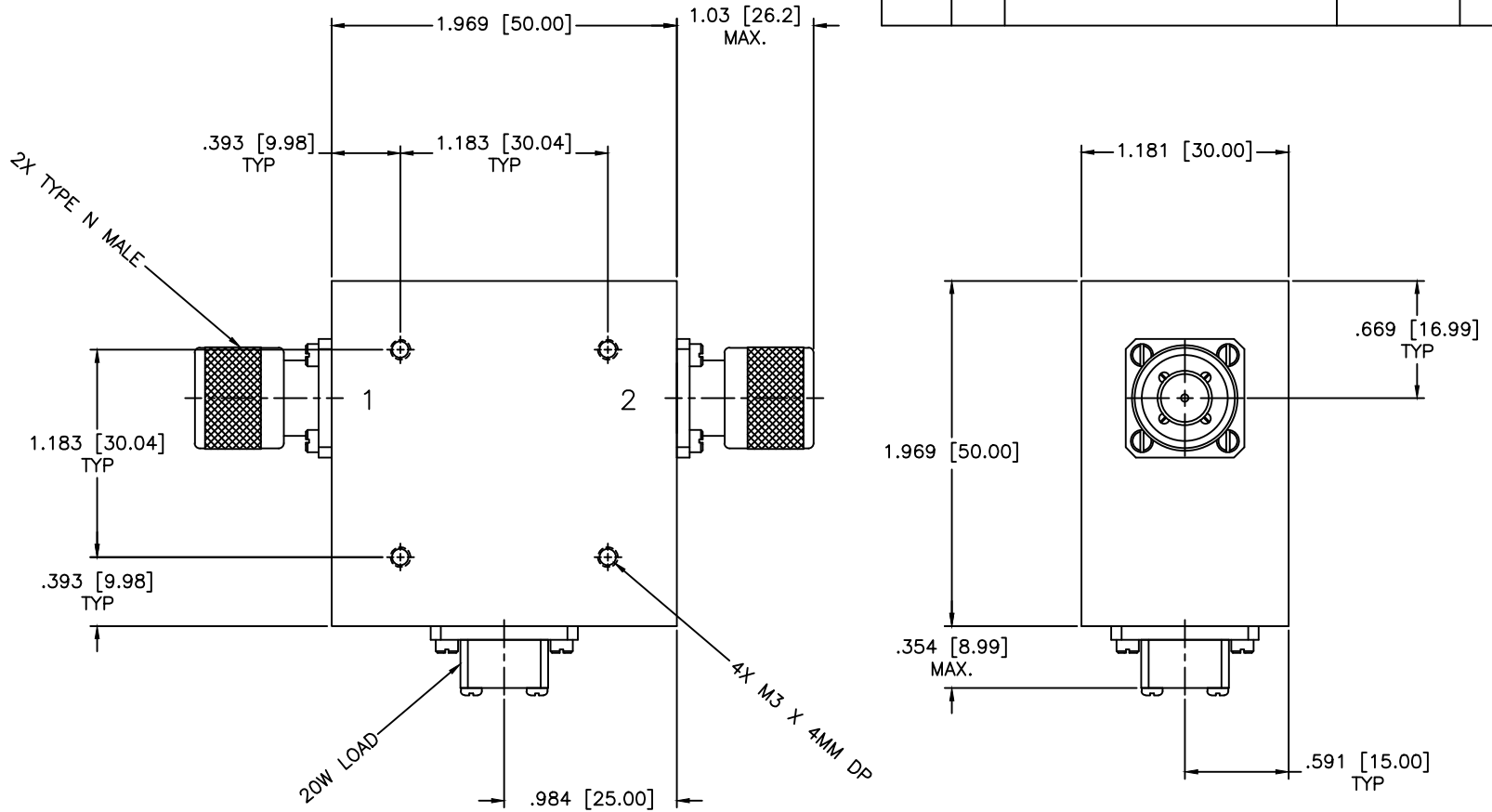


REVISIONS				
ZONE	REV	DESCRIPTION	Date	APPROVED



SPECIFICATIONS

Frequency Range: 345–355 MHz
 Isolation: 20dB Min.
 Insertion loss: 0.30dB Max.
 VSWR: 1.20:1 Max.
 Power: 20W Avg, 50W Peak
 Operating Temperature: -10°C to +60°C

MATERIAL:	
DRAWN: Paiboon Luekhamhan	DATE: 04-11-2006
APPROVED: T. Nguyen	DATE: 04-11-2006



MICROWAVE COMMUNICATIONS LABORATORIES INC.
 7255 30TH AVE. N. SAINT PETERSBURG, FL 33710
 TEL: (727) 344-6254 FAX: (727) 381-6116
 http://WWW.MCLI.COM

SCALE:	N/A
SHEET:	N/A

UNLESS OTHERWISE SPECIFIED:
 TOLERANCES
 IN (INCHES) OR (mm) (MILLIMETERS)
 FRACTIONS: ± 1/64
 DECIMALS: ±.02 ±.009
 ANGLE: ±1/2°

DRAWING TITLE:
COAXIAL ISOLATOR

PART NO.:
IS-195-20

PROPERTY NOTICE:
 THE INFORMATION IN THIS DRAWING IS PROPRIETARY
 AND SHALL NOT BE USED OR DISCLOSED WITHOUT WRITTEN
 PERMISSION FROM MICROWAVE COMMUNICATIONS
 LABORATORIES INC. (MCLI)

CAGE CODE:
OD2L5

SIZE:	N/A	REV:	N/A
DO NOT SCALE THE DRAWING			

DWG NO.:
82167

