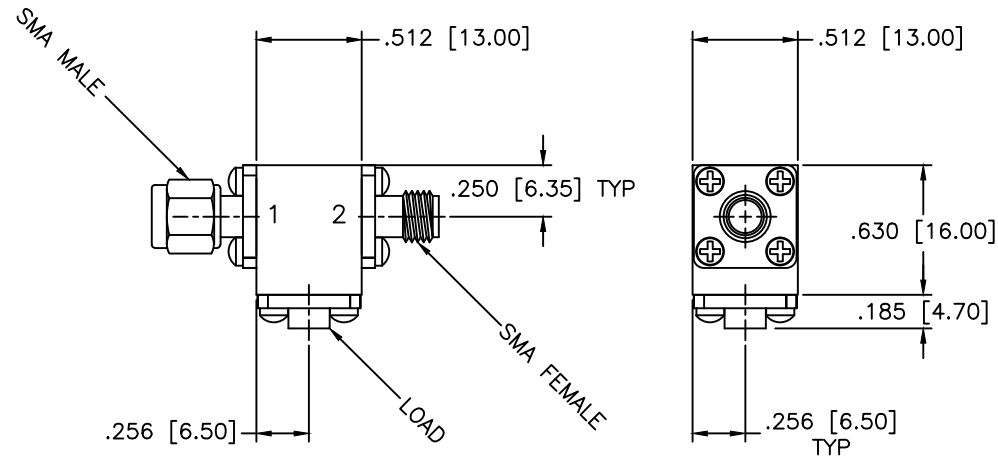


REVISIONS				
ZONE	REV	DESCRIPTION	Date	APPROVED



SPECIFICATIONS

Frequency Range: 11.8–13.4 GHz
 Isolation: 20dB Min.
 Insertion loss: 0.40dB Max.
 VSWR: 1.25:1 Max.
 Power: 1W Avg.
 Operating Temperature: -54°C to +85°C

MATERIAL:		MCLI MICROWAVE COMMUNICATIONS LABORATORIES INC. 7255 30TH AVE. N. SAINT PETERSBURG, FL 33710 TEL: (727) 344-6254 FAX: (727) 381-6116 http://WWW.MCLI.COM	SCALE:	N/A
			SHEET:	N/A
		UNLESS OTHERWISE SPECIFIED: TOLERANCES IN (INCHES) OR (mm) (MILLIMETERS) FRACTIONS: ± 1/64 DECIMALS: ±.01 ±.005 ANGLE: ±1/2°	DRAWING TITLE: COAXIAL ISOLATOR, SMA MALE INPUT	
		PROPERTY NOTICE: THE INFORMATION IN THIS DRAWING IS PROPRIETARY AND SHALL NOT BE USED OR DISCLOSED WITHOUT WRITTEN PERMISSION FROM MICROWAVE COMMUNICATIONS LABORATORIES INC. (MCLI)	PART NO. IS-182/SMI	
DRAWN: Paiboon Luekhamhan	DATE: 03-16-2012	THIRD ANGLE PROJECTION	CAGE CODE:	SIZE: N/A
APPROVED: T. Nguyen	DATE: 03-16-2012		REV: N/A	DWG. NO. 86033
			DO NOT SCALE THE DRAWING	