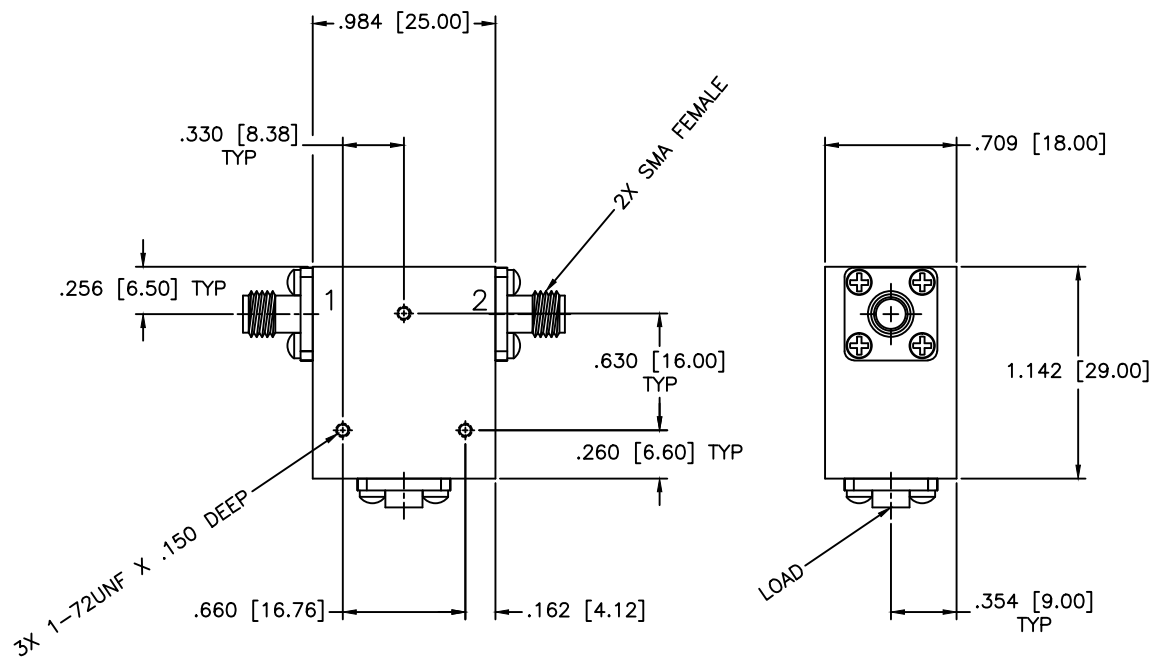


REVISIONS				
ZONE	REV	DESCRIPTION	Date	APPROVED



**SPECIFICATIONS**

Frequency Range: 4.40–5.00 GHz  
 Isolation: 23dB Min.  
 Insertion loss: 0.20dB Max.  
 VSWR: 1.15:1 Max.  
 Operating Temperature: –30°C to +70°C

MATERIAL:		<b>MCLI</b> MICROWAVE COMMUNICATIONS LABORATORIES INC. 7255 30TH AVE. N. SAINT PETERSBURG, FL 33710 TEL: (727) 344-6254 FAX: (727) 381-6116 <a href="http://WWW.MCLI.COM">http://WWW.MCLI.COM</a>	SCALE:	N/A
			SHEET:	N/A
		UNLESS OTHERWISE SPECIFIED: TOLERANCES IN (INCHES) OR [mm] (MILLIMETERS) FRACTIONS: ± N/A DECIMALS: ±.05 ANGLE: ±1/2°	DRAWING TITLE: <b>COAXIAL ISOLATOR</b>	
DRAWN: Paiboon Luekhamhan		DATE: 11-22-2013	PART NO. <b>IS-181</b>	
APPROVED: T. Nguyen		DATE: 11-22-2013	CAGE CODE: OD2L5	SIZE: A REV: N/A DWG NO. 86452
		THIRD ANGLE PROJECTION	DO NOT SCALE THE DRAWING	