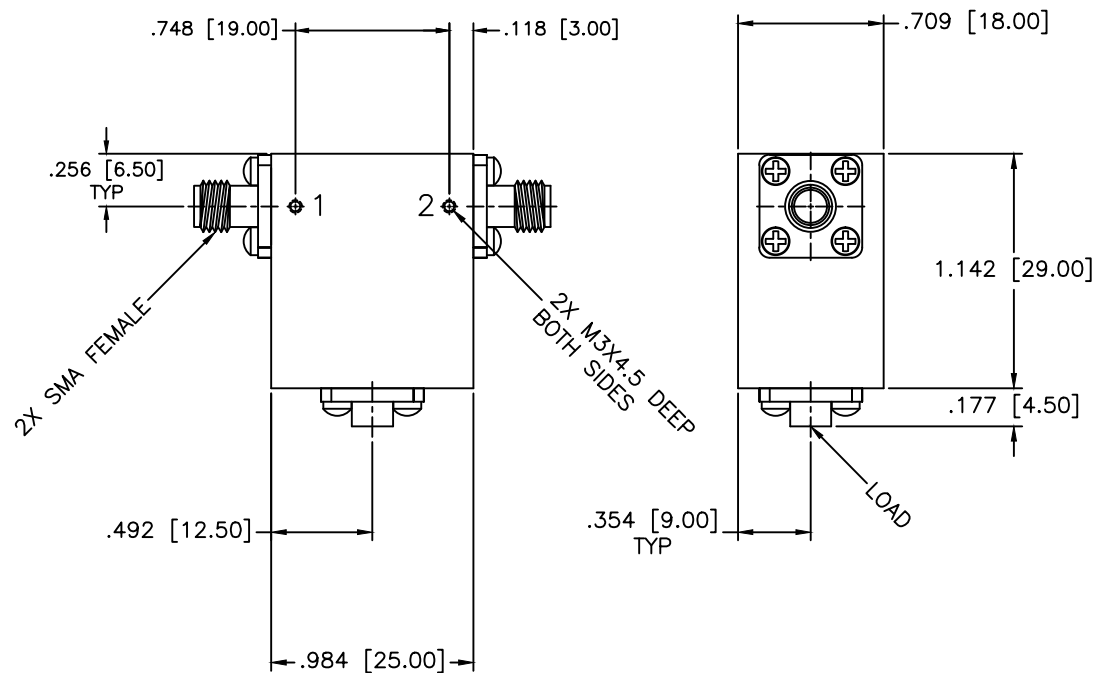


REVISIONS				
ZONE	REV	DESCRIPTION	Date	APPROVED



SPECIFICATIONS

Frequency Range: 3.7–8.2 GHz
 Isolation: 16dB Min.
 Insertion loss: 0.6dB Max.
 VSWR: 1.40:1 Max.
 Power Avg, Peak: 25W, 250W
 Operating Temperature: -30°C to +70°C

MATERIAL:		MCLI MICROWAVE COMMUNICATIONS LABORATORIES INC. 7255 30TH AVE. N. SAINT PETERSBURG, FL 33710 TEL: (727) 344-6254 FAX: (727) 381-6116 http://www.mcli.com	SCALE:	N/A	
			SHEET:	N/A	
DRAWING TITLE:		COAXIAL ISOLATOR			
PART NO.:		IS-18			
DRAWN:	DATE:	<small>UNLESS OTHERWISE SPECIFIED: TOLERANCES IN (INCHES) OR [mm] (MILLIMETERS) FRACTIONS: ± 1/64 DECIMALS: ±.01 ±.005 ANGLE: ±1/2°</small>	CAGE CODE:	SIZE: N/A	
APPROVED:	DATE:		OD2L5	REV: N/A	DWG NO. 82088
<small>PROPRIETARY NOTICE: THE INFORMATION IN THIS DRAWING IS PROPRIETARY AND SHALL NOT BE USED OR DISCLOSED WITHOUT WRITTEN PERMISSION FROM MICROWAVE COMMUNICATIONS LABORATORIES INC. (MCLI)</small>		<small>THIRD ANGLE PROJECTION</small> 	DO NOT SCALE THE DRAWING		