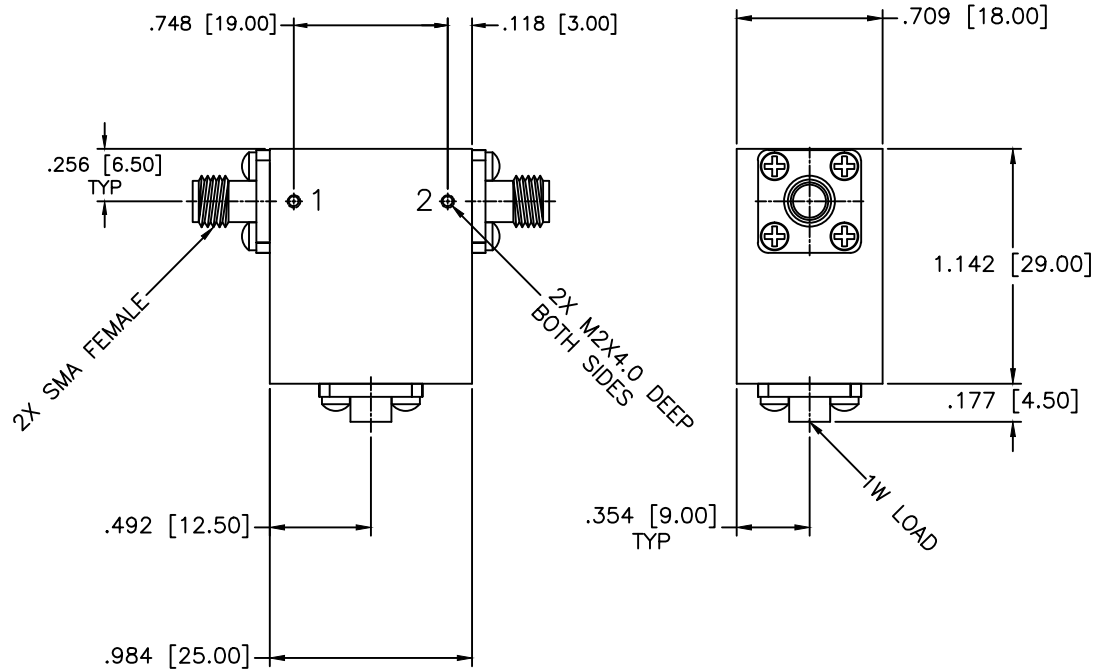


REVISIONS				
ZONE	REV	DESCRIPTION	Date	APPROVED



**SPECIFICATIONS**

Frequency Range: 3.7–8.2 GHz  
 Isolation: 16dB Min.  
 Insertion loss: 0.7dB Max.  
 VSWR: 1.40:1 Max.  
 Power Avg, Peak: 1W, 100W  
 Operating Temperature: 0°C to +55°C

MATERIAL:		<b>MCLI</b> MICROWAVE COMMUNICATIONS LABORATORIES INC. 7255 30TH AVE. N. SAINT PETERSBURG, FL 33710 TEL: (727) 344-6254 FAX: (727) 381-6116 <a href="http://WWW.MCLI.COM">http://WWW.MCLI.COM</a>	SCALE: N/A
			SHEET: N/A
UNLESS OTHERWISE SPECIFIED: TOLERANCES IN (INCHES) OR (mm) (MILLIMETERS) FRACTIONS: ± 1/64 DECIMALS: ±.01 ±.005 ANGLE: ±1/2°		DRAWING TITLE: <b>COAXIAL ISOLATOR</b>	
DRAWN: Paiboon Luekhamhan DATE: 03-13-2008		PART NO.: IS-18-1	
APPROVED: T. Nguyen DATE: 03-13-2008		CAGE CODE: OD2L5	SIZE: N/A REV: N/A DWG NO. 83992
PROPRIETARY NOTICE: THE INFORMATION IN THIS DRAWING IS PROPRIETARY AND SHALL NOT BE USED OR DISCLOSED WITHOUT WRITTEN PERMISSION FROM MICROWAVE COMMUNICATIONS LABORATORIES INC. (MCLI)		DO NOT SCALE THE DRAWING	